

LOSBERGER

Party and exhibition tents system uniflex

Assembly guide

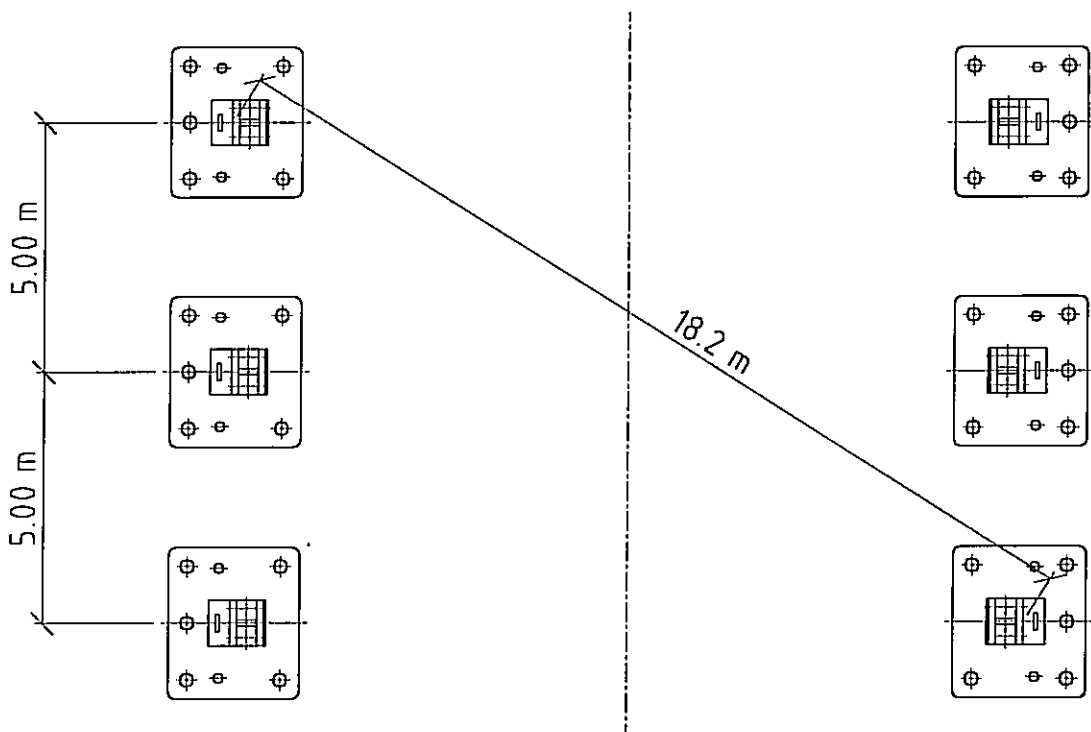
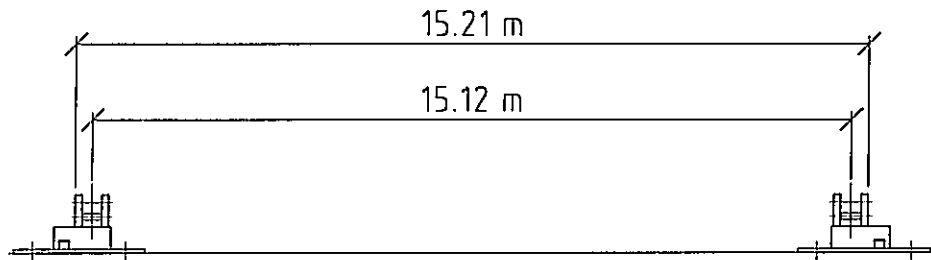
Type 15,3/...

Losberger Intertent GmbH × Gottlieb-Daimler-Ring 14 × 74906 Bad Rappenau

Phone+49/7066/980-0 × Fax +49/7066/980-232

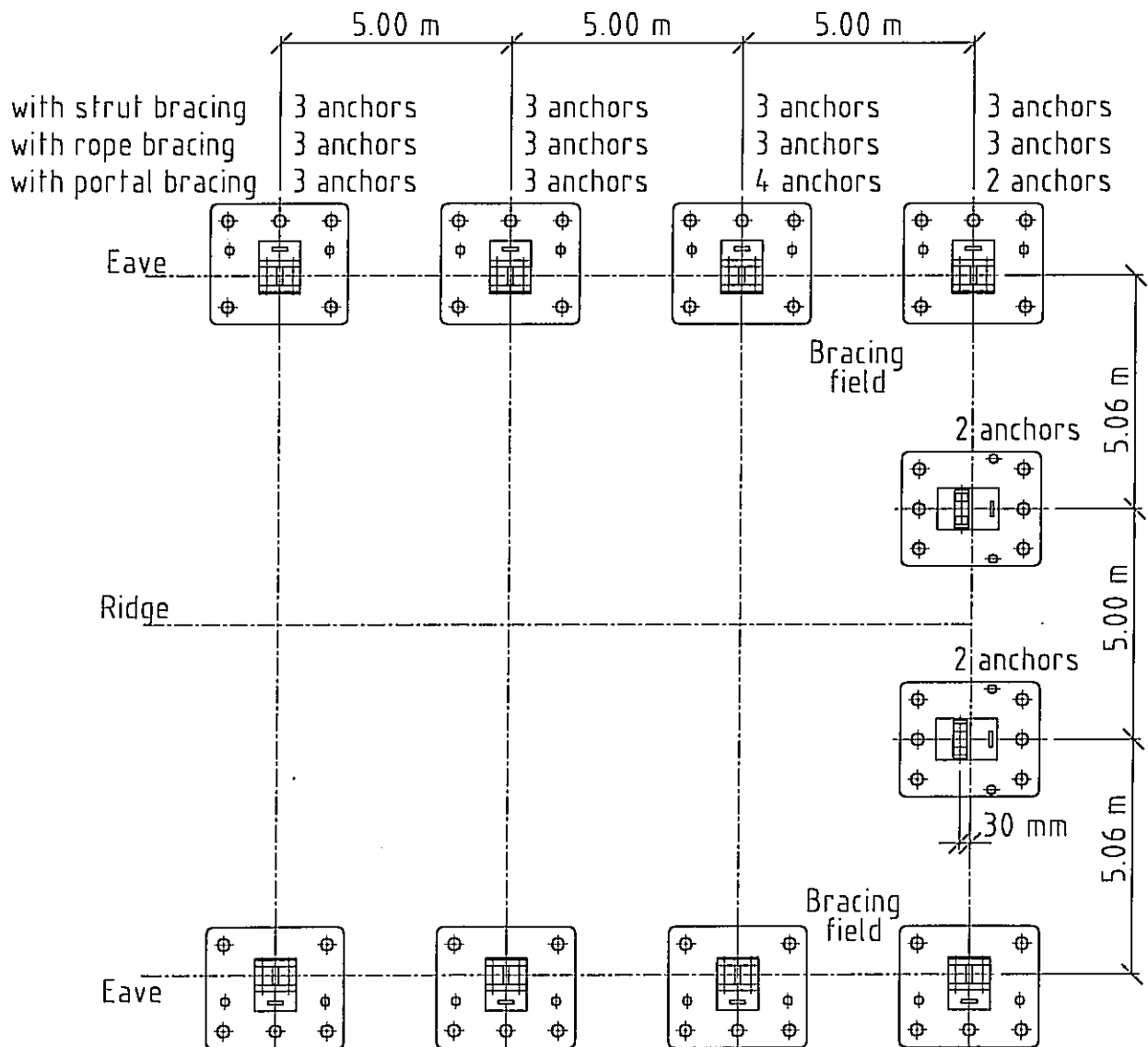
LOSBERGER

Measurement sketch for frame pole-base plates



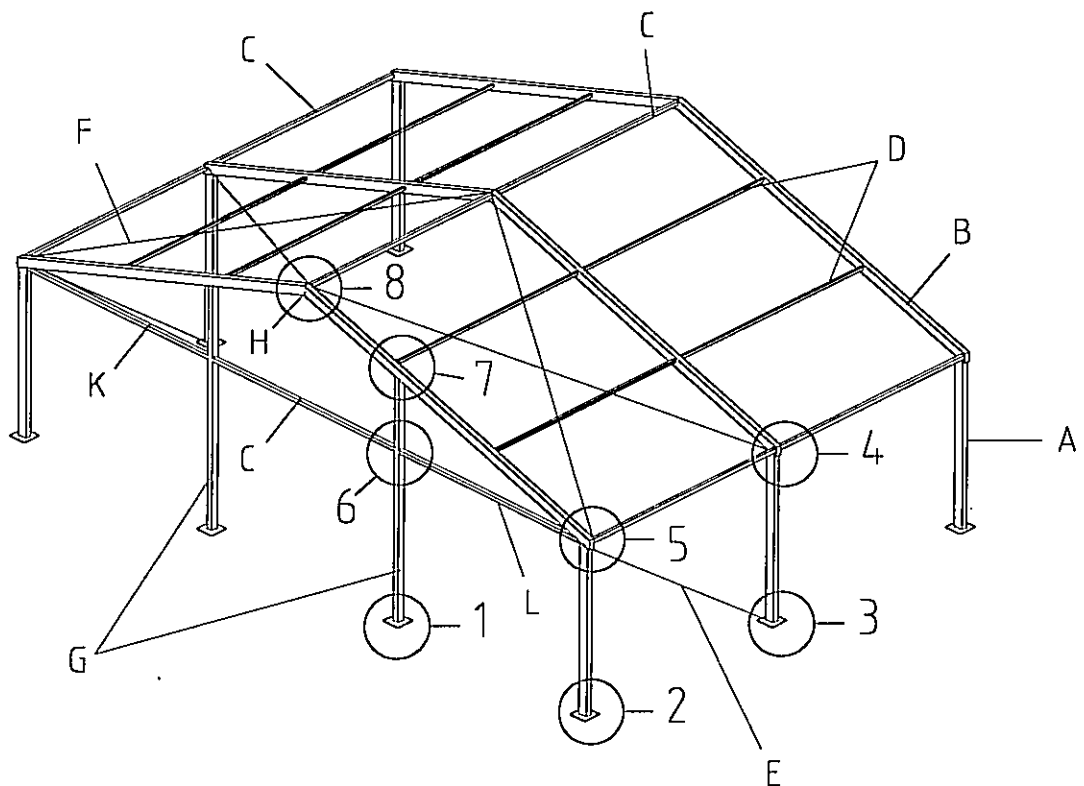
Measurement sketch for gable pole-base plates Anchoring

Steel anchor $\phi 30\text{mm}$, driving depth $l=1,00\text{m}$

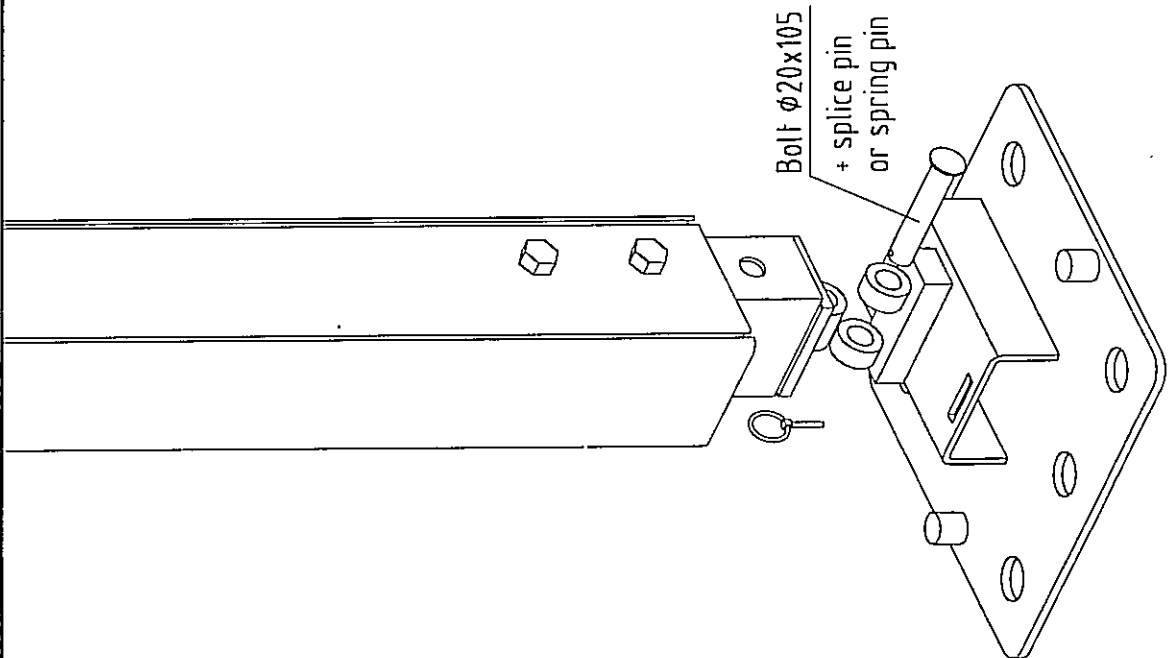
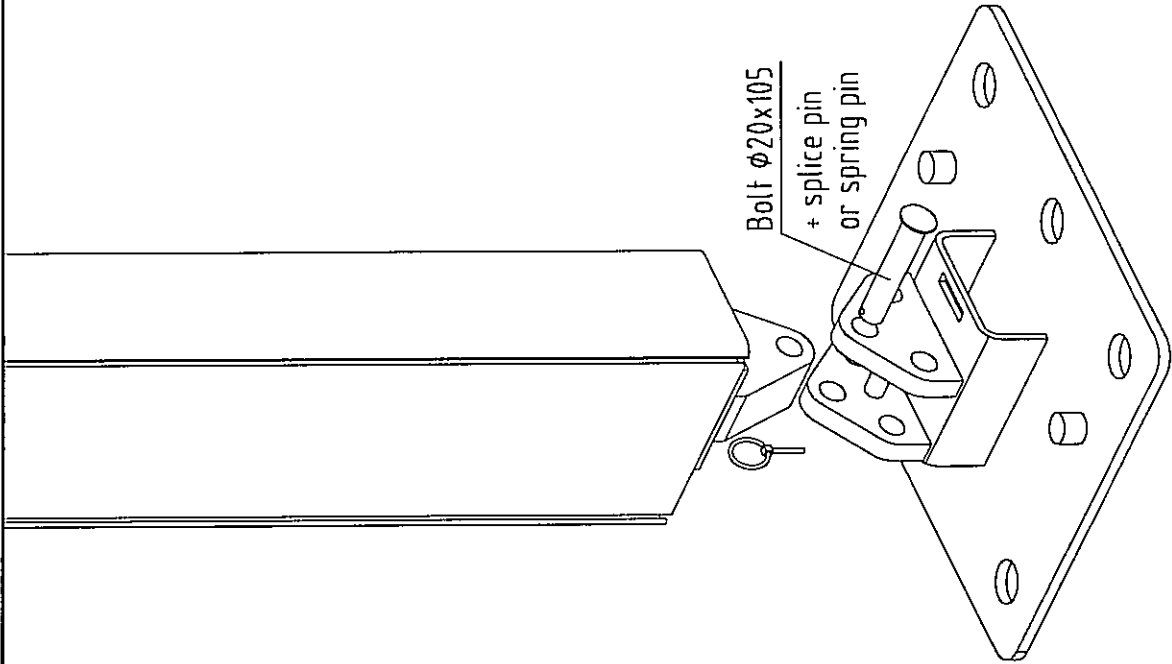


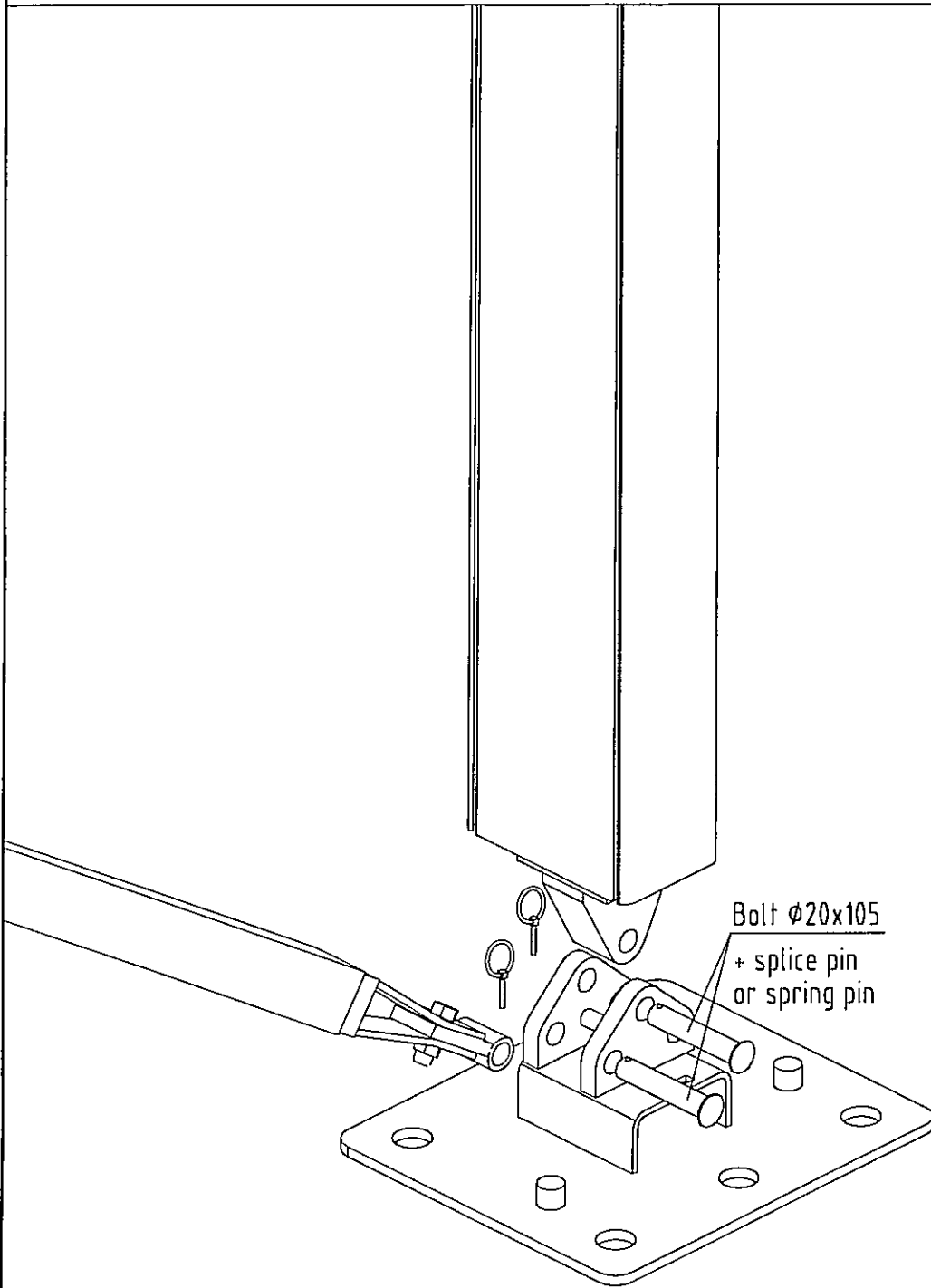
Party and exhibition tent 15,3/...

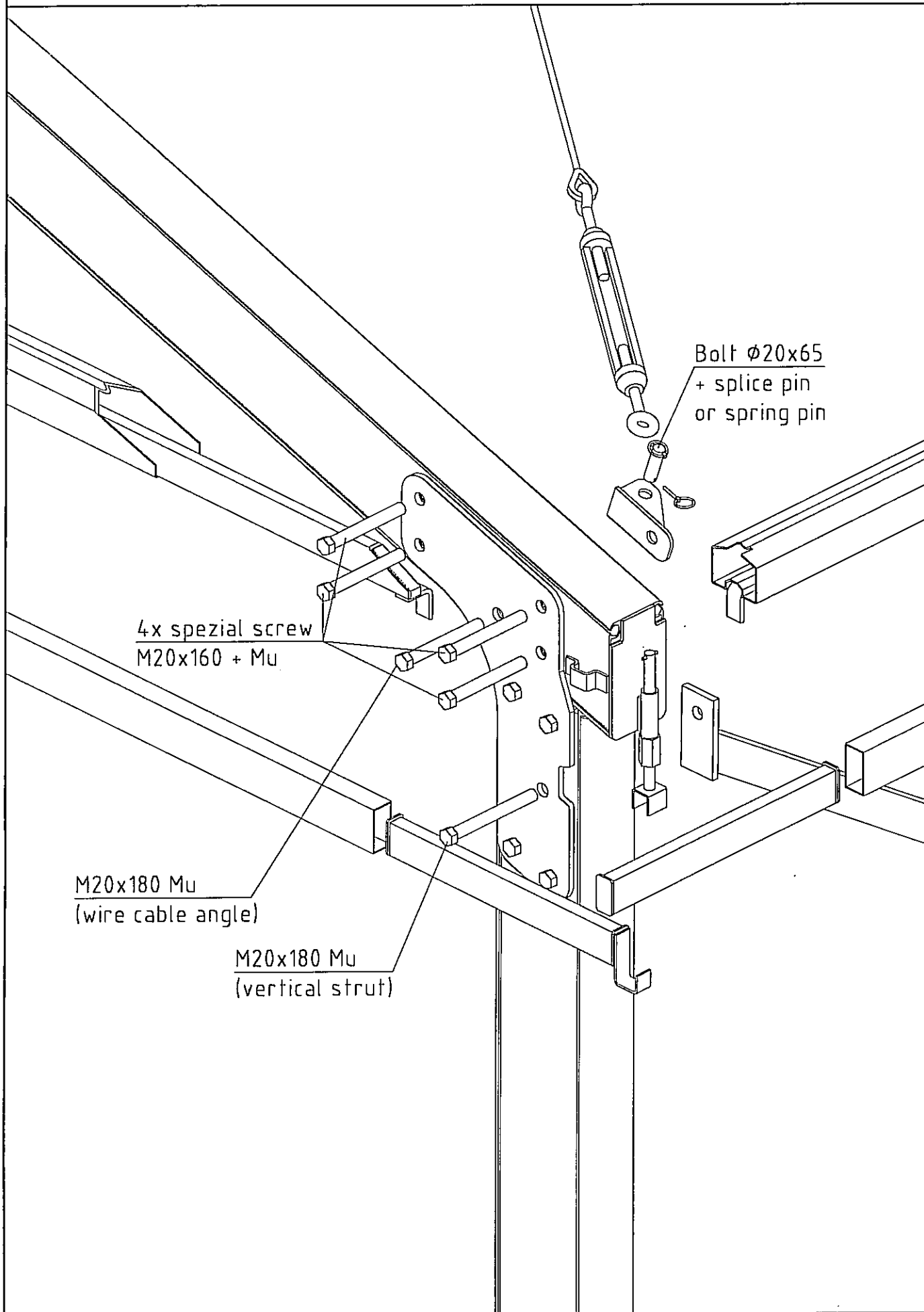
- A - frame pole
- B - frame beam
- C - eave or ridge purlin 100x80
- D - intermediate purlin 60x60
- E - vertical brace
- F - roof wire rope
- G - gable pole
- H - ridge head
- L - gable wall beam right
- K - gable wall beam left



Assembly guide, frame





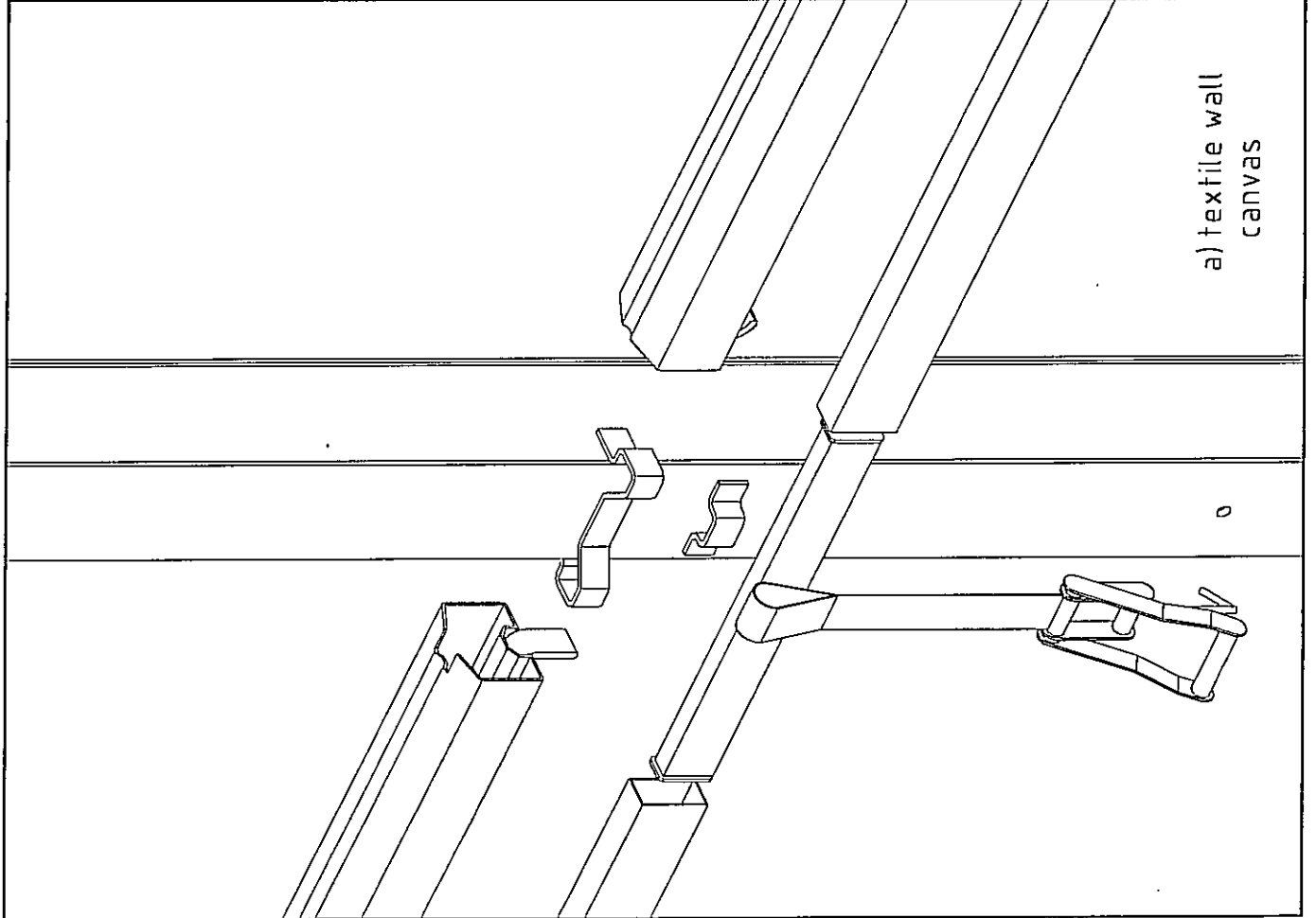
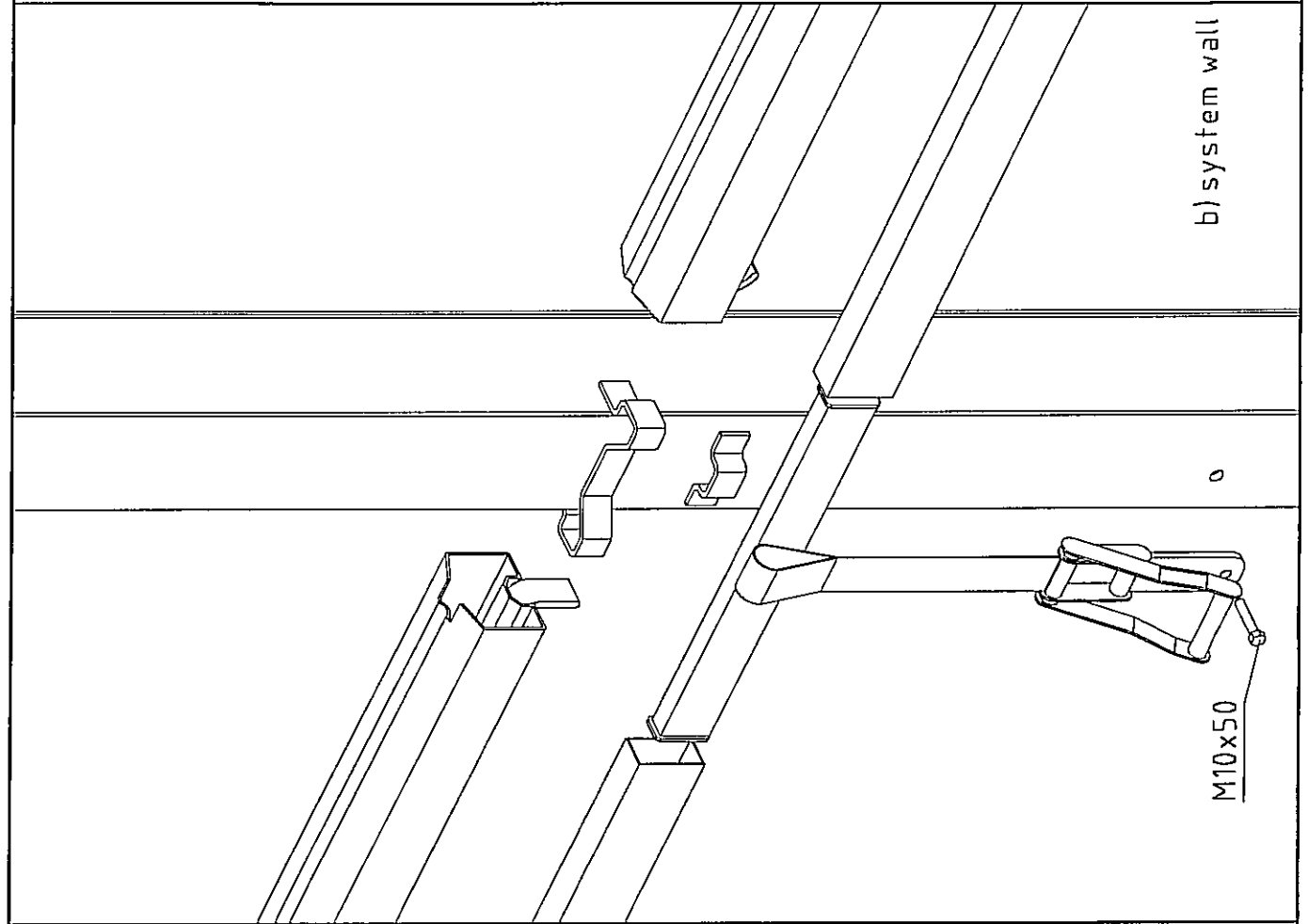


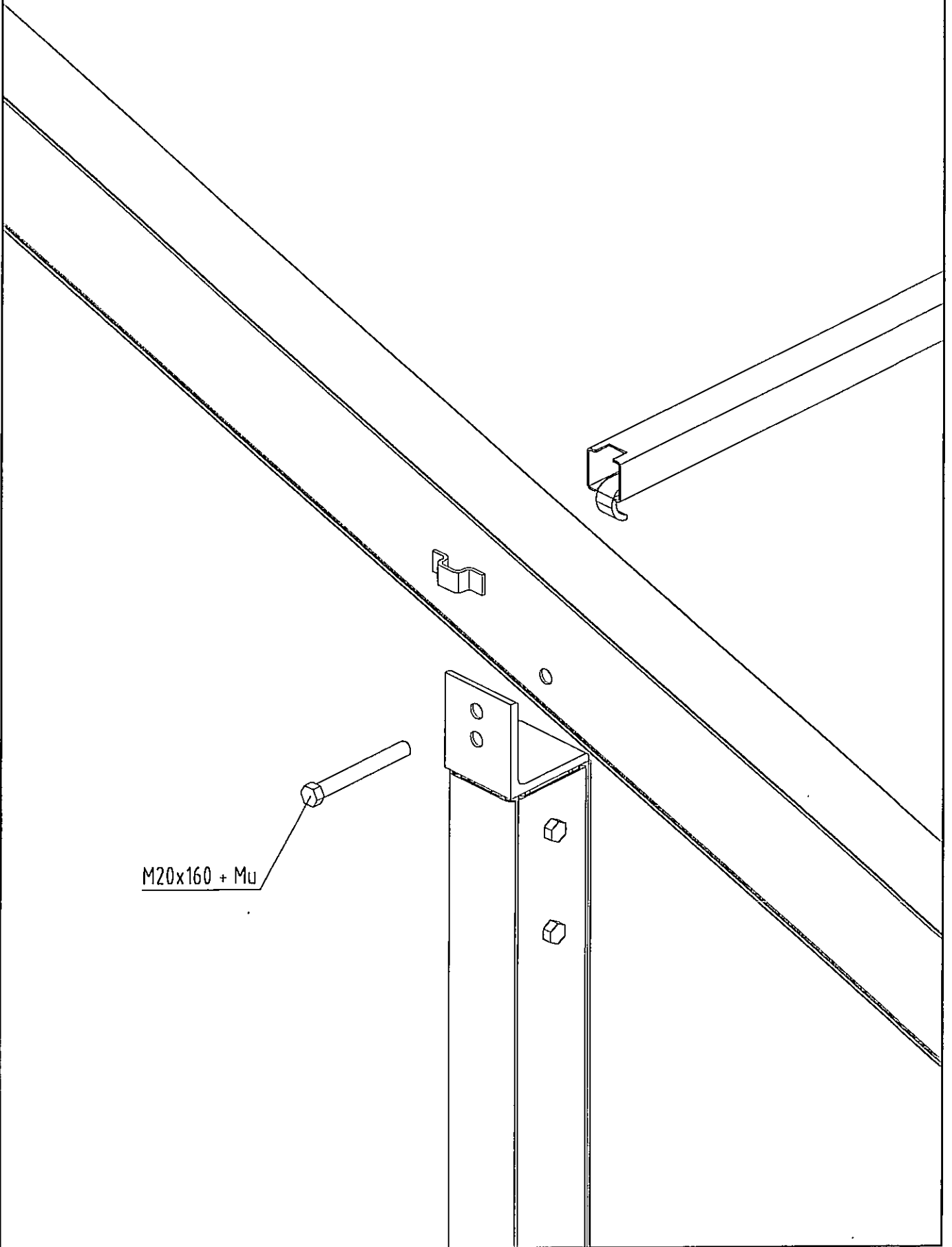
Bolt $\phi 20 \times 65$
+ splice pin
or spring pin

4x spezial screw
M20x160 + Mu

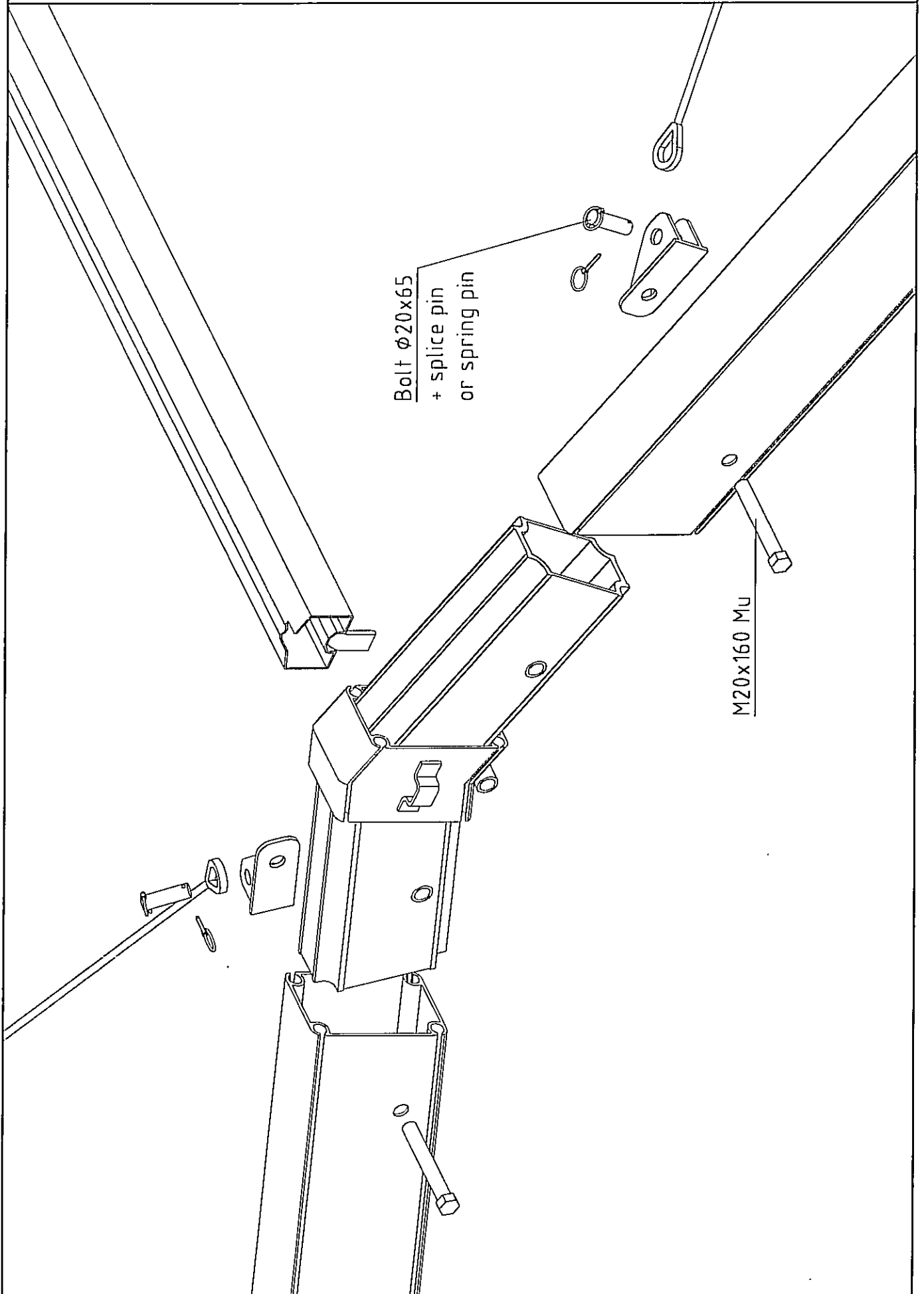
M20x180 Mu
(wire cable angle)

M20x180 Mu
(vertical strut)

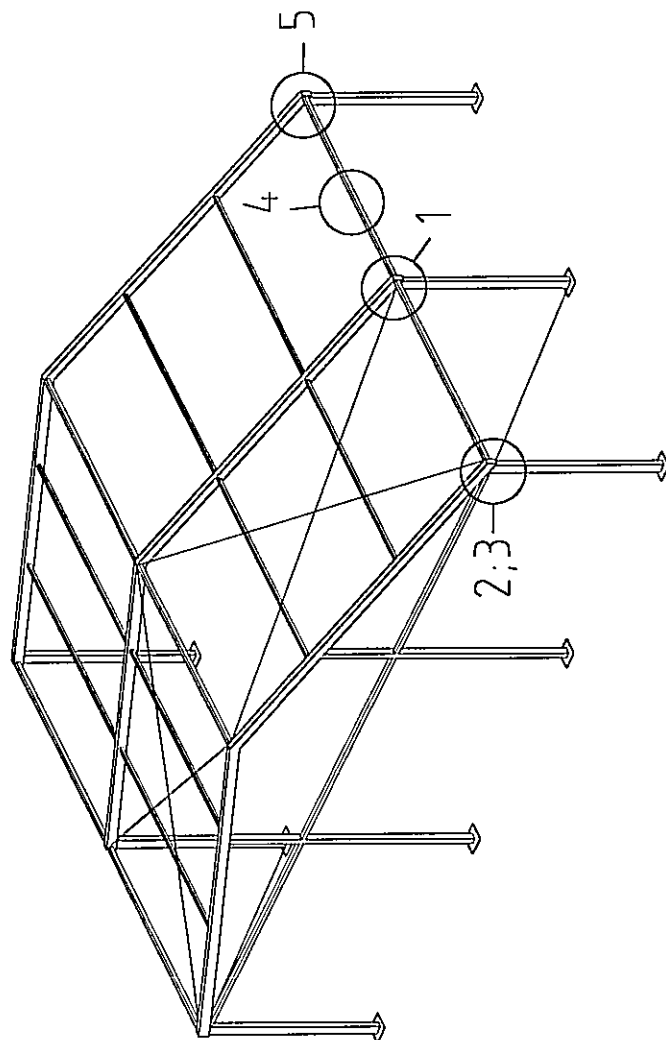




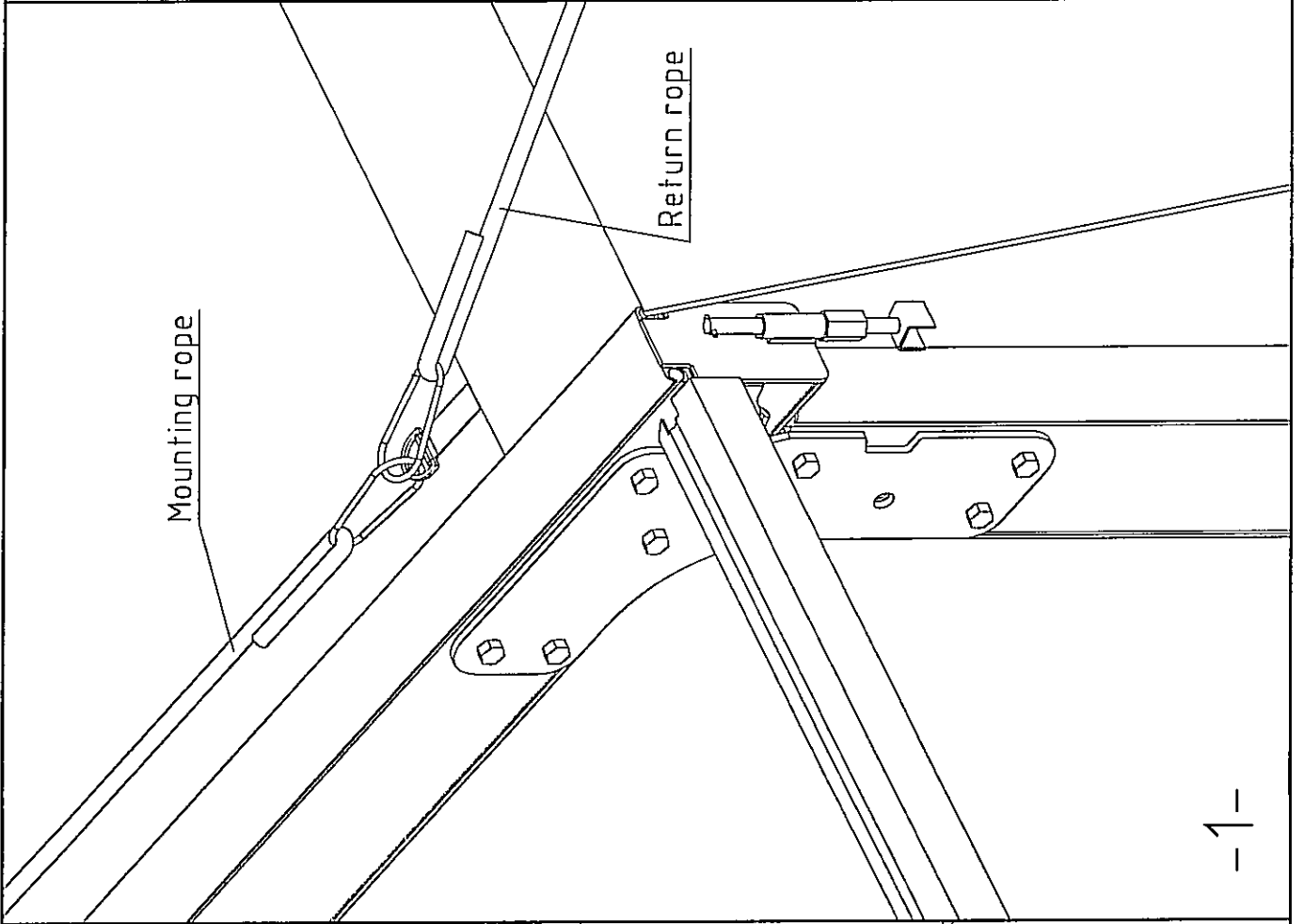
M20x160 + Mu



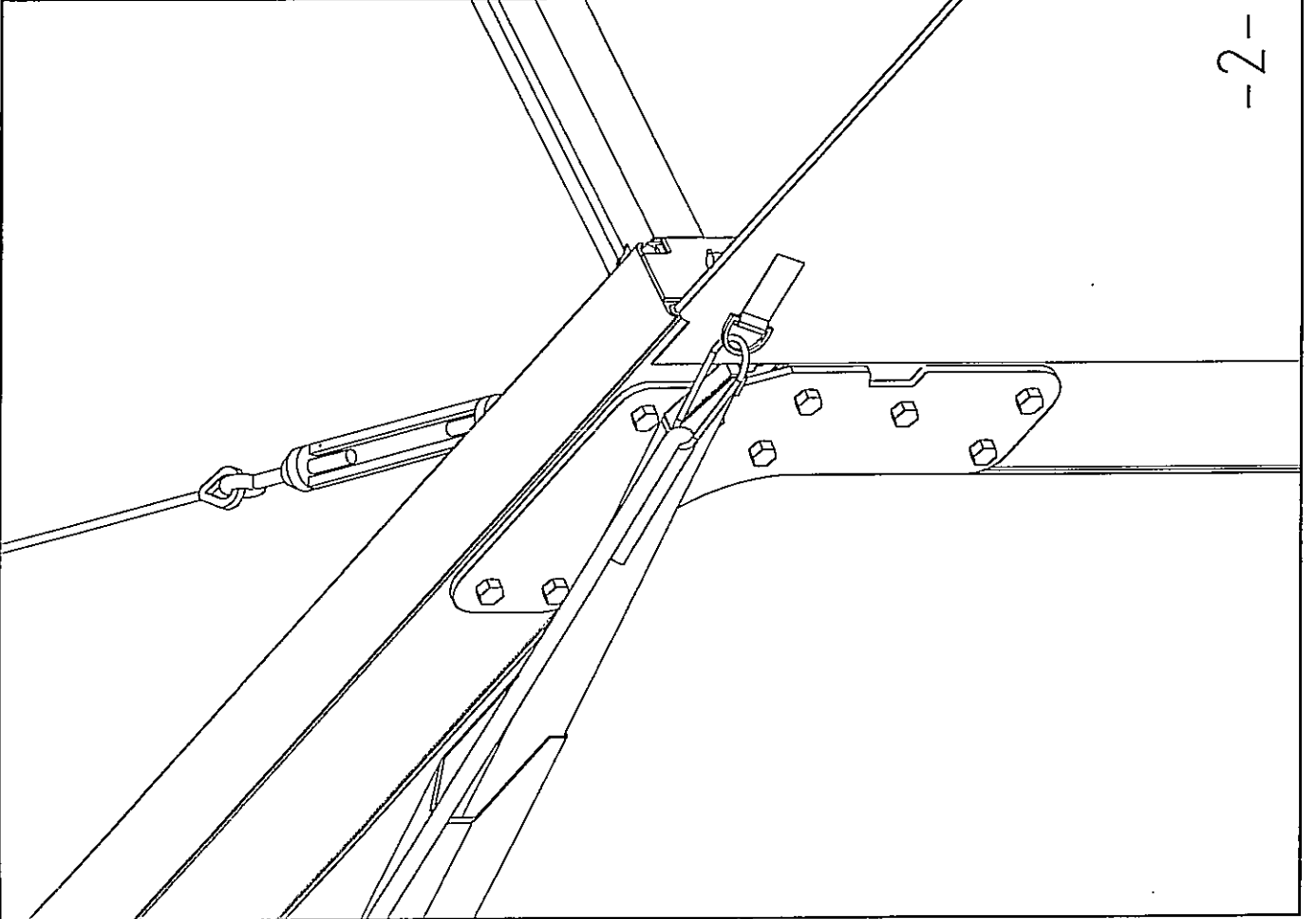
Party and exhibition tent 15,3/...



Assembly guide, canvas

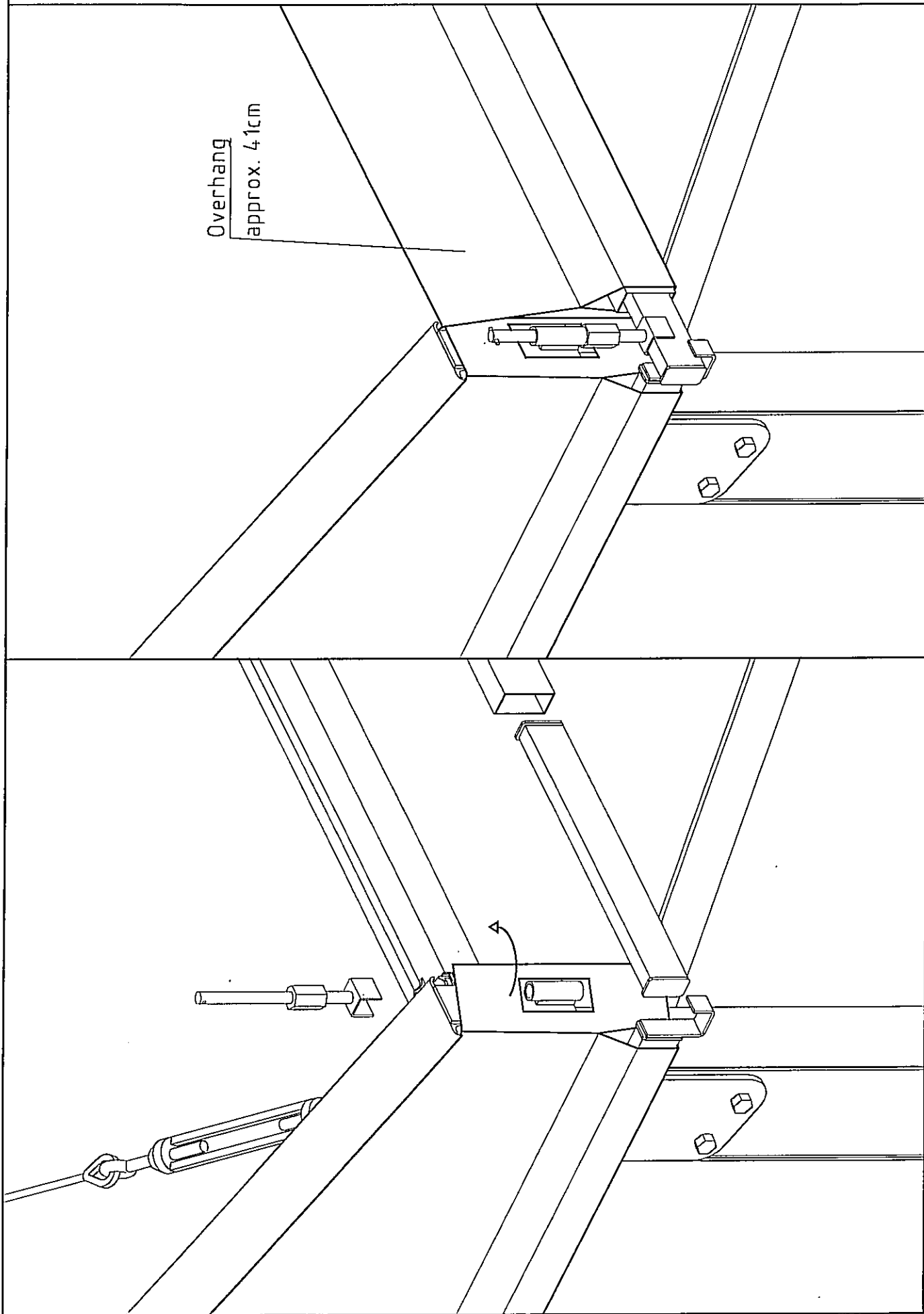


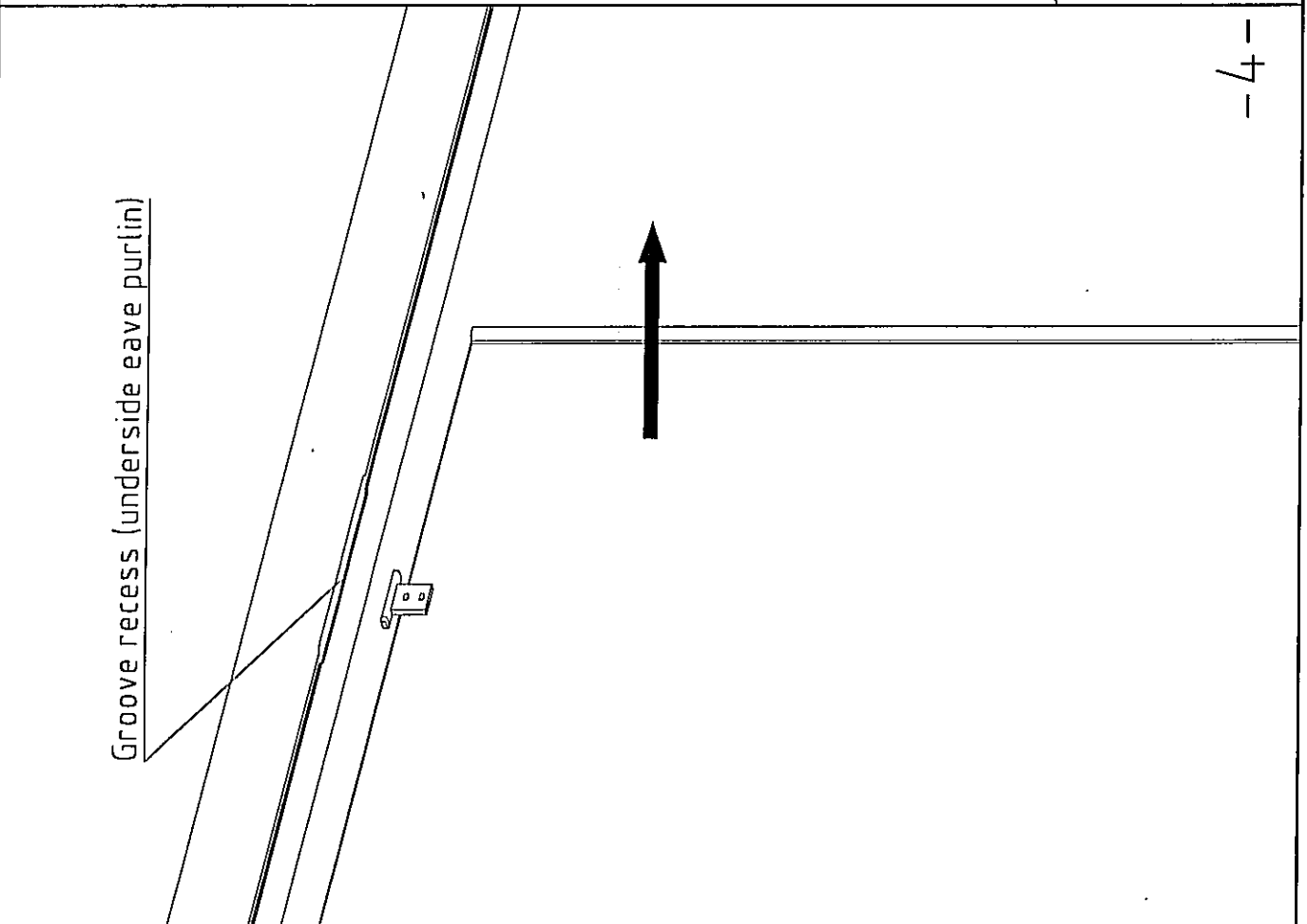
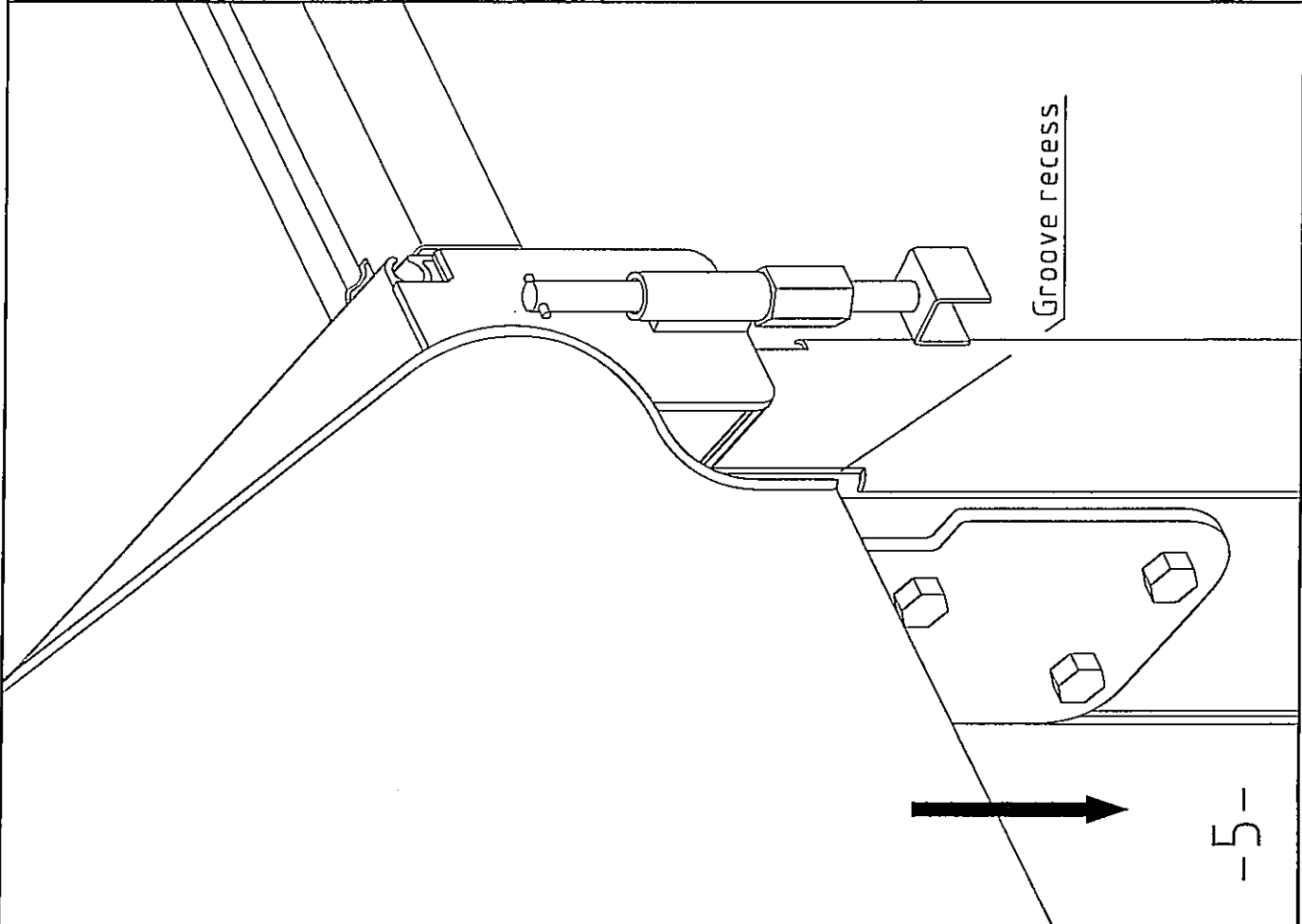
-1-



-2-

Overhang
approx. 41cm





Measurement sketch for base plates Rondo 15.3 Anchoring

Steel anchor $\phi 30$, driving depth $l=1.00\text{m}$

