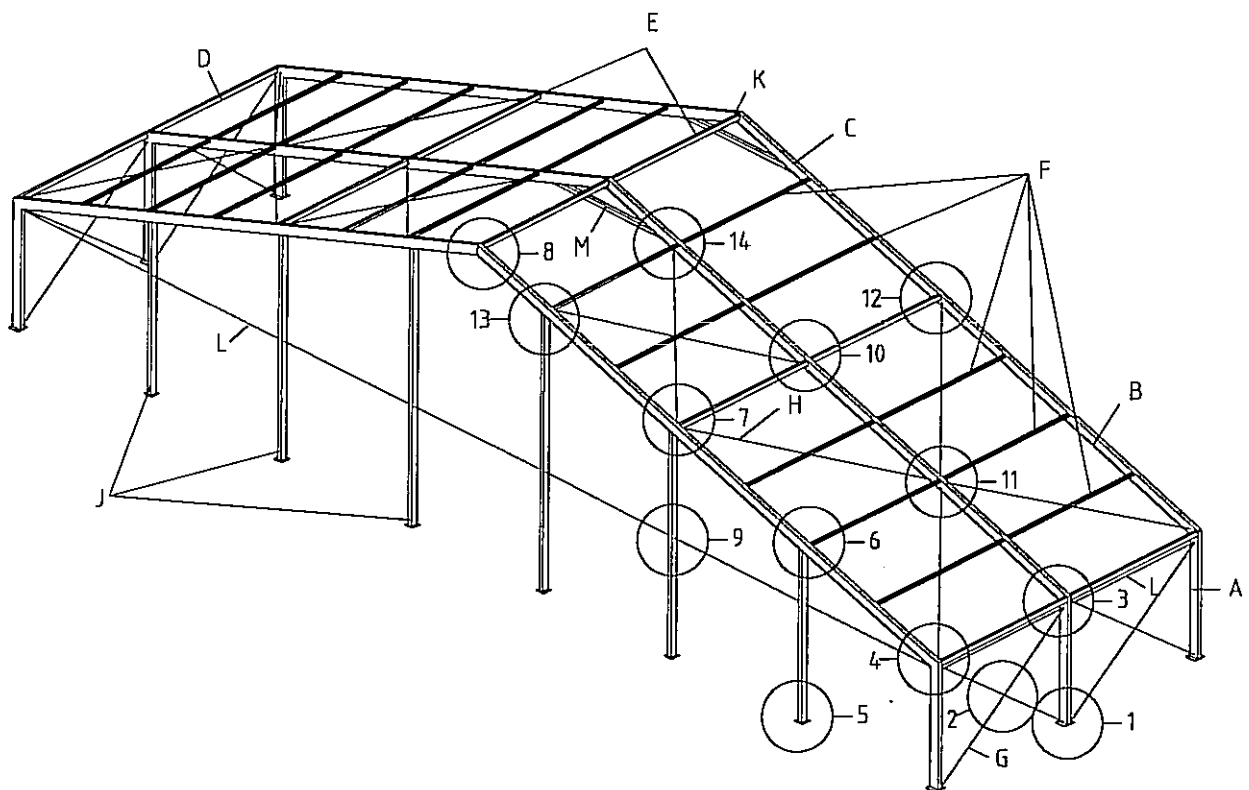
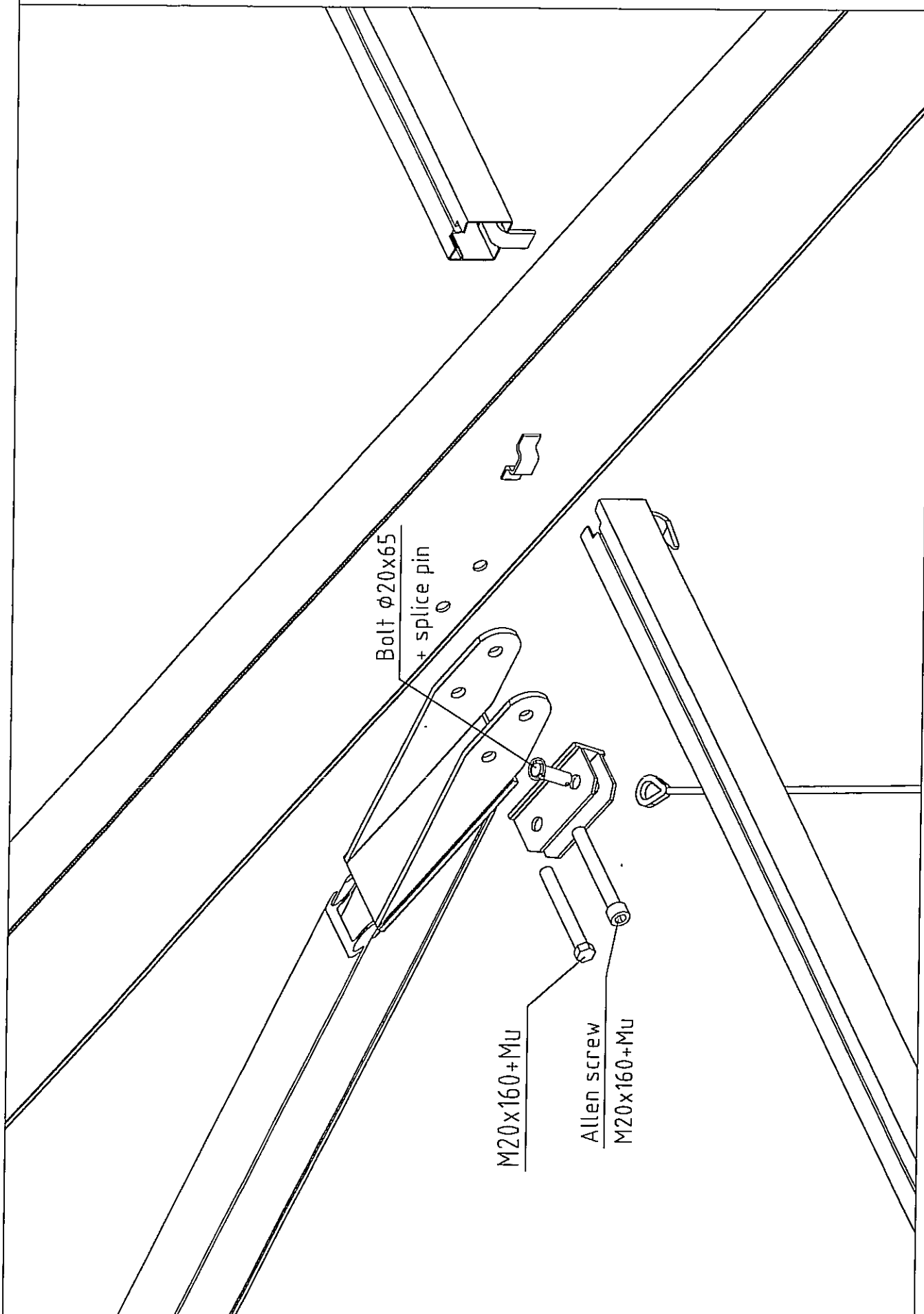


Party and exhibition tent 35,5/400

- A - frame pole
- B - frame beam 10m
- C - frame beam 7.5m
- D - eave purlin 100x140
- E - ridge or bracing purlin 100x140
- F - intermediate purlin 80x80
- G - cross brace
- H - roof wire cable
- J - gable pole
- K - ridge head
- L - curtain tube
- M - ridge brace 120x120mm



Assembly guide, frame



Bolt $\phi 20 \times 65$
+ splice pin

M20x160+Mu

Allen screw
M20x160+Mu