

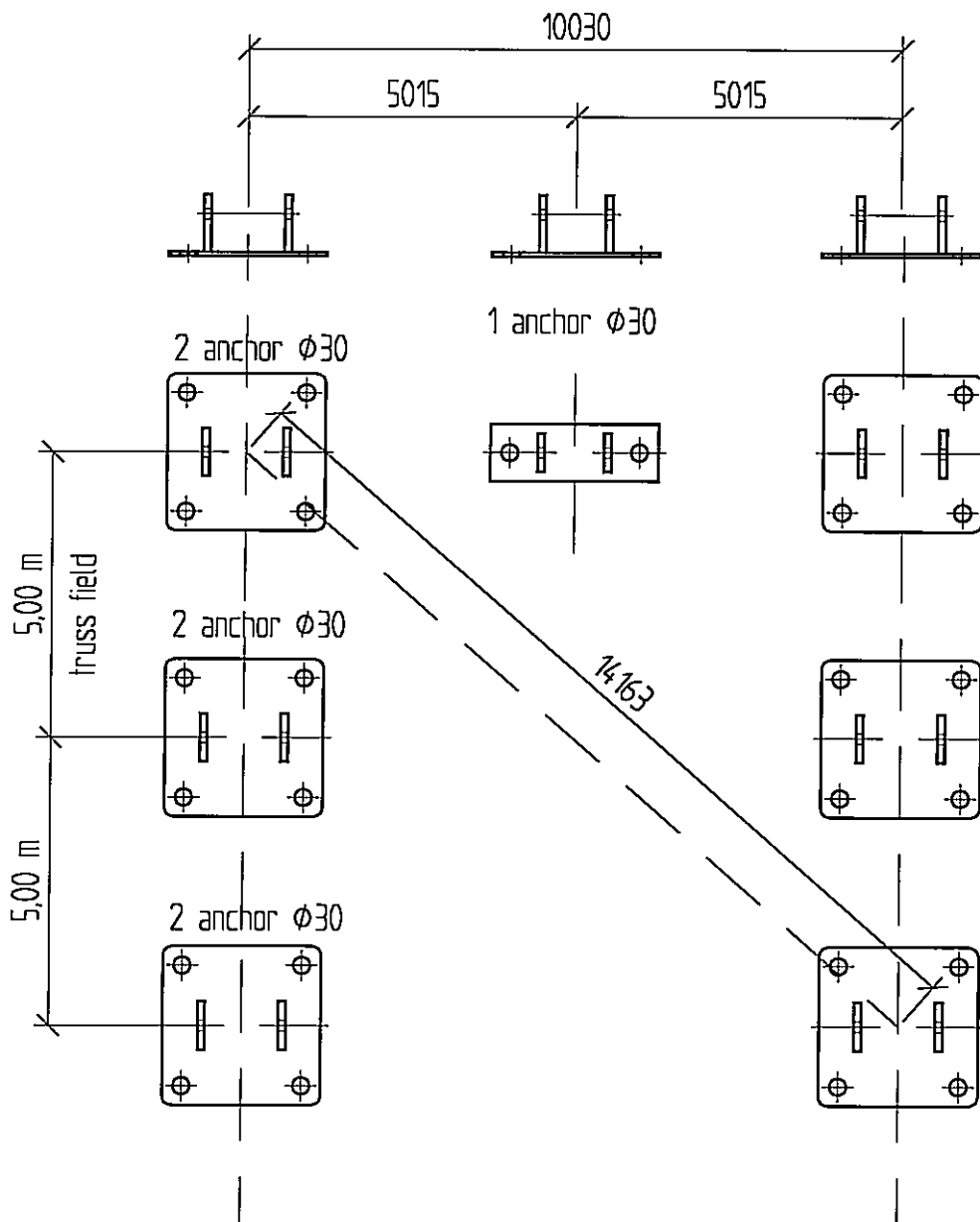
LOSBERGER

Party and exhibition tents system easyflex

Assembly guide

Type 10,2/...- 15,2/...

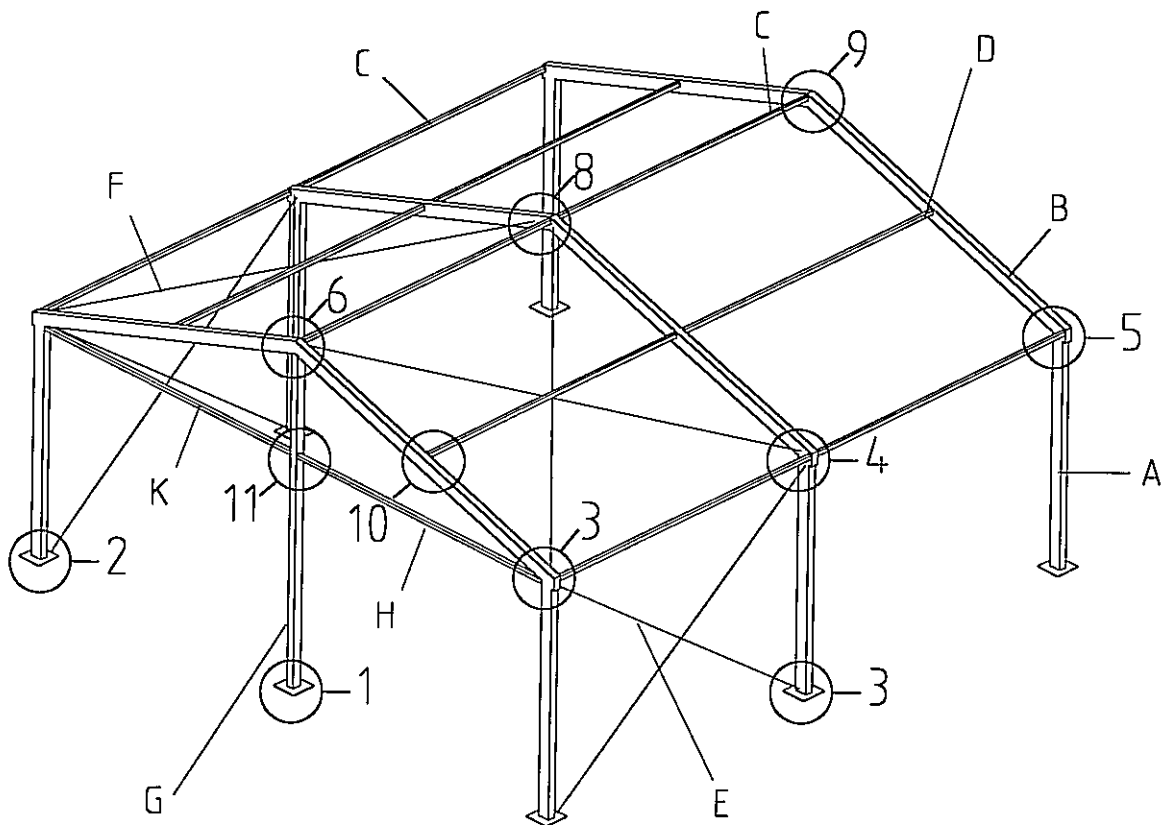
Measurement sketch for baseplates + anchoring type 10,2



LOSBERGER

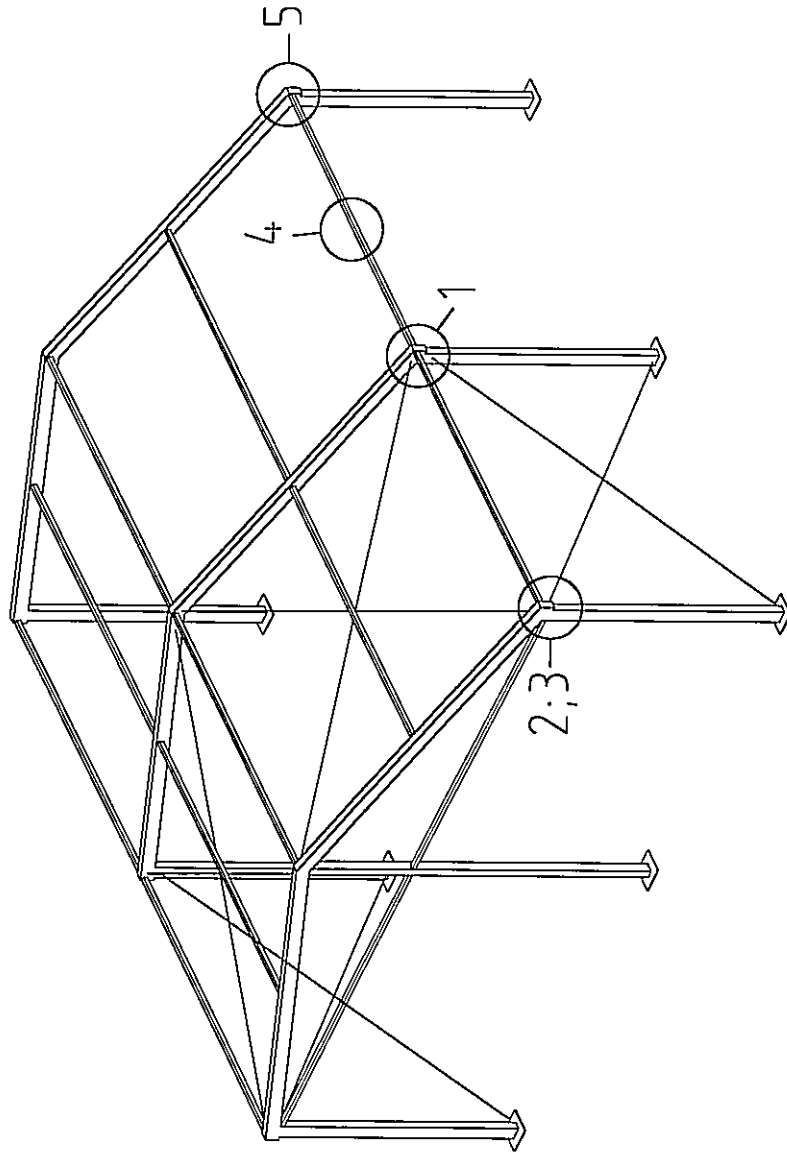
Party and exhibition tent type 10,2/..+ 11,2/..

- A - Frame pole
- B - Frame beam
- C - Eave - ridge purlin 100x80
- D - Intermediate purlin 60x60
- E - Wall bracing cable
- F - Roof wire cable
- G - Gable pole
- H - Gable side beam right
- K - Gable side beam left



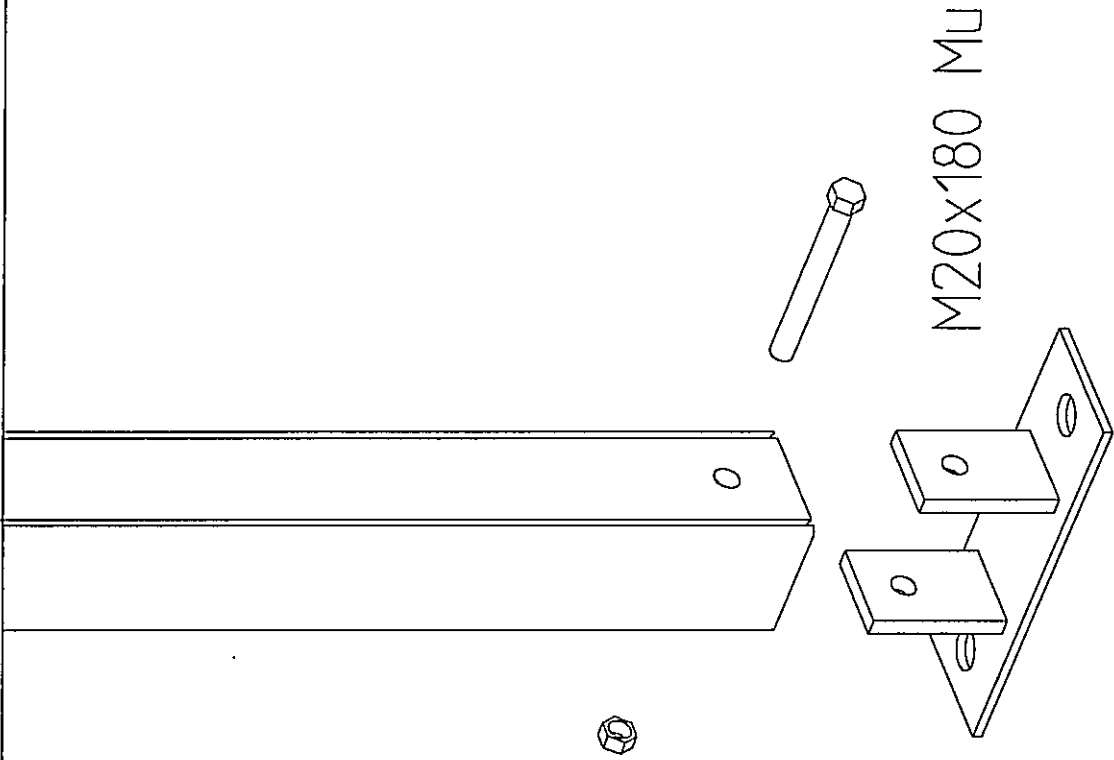
Assembly guide, frame

Party and exhibition tent type 10,2/...+ 11,2/...

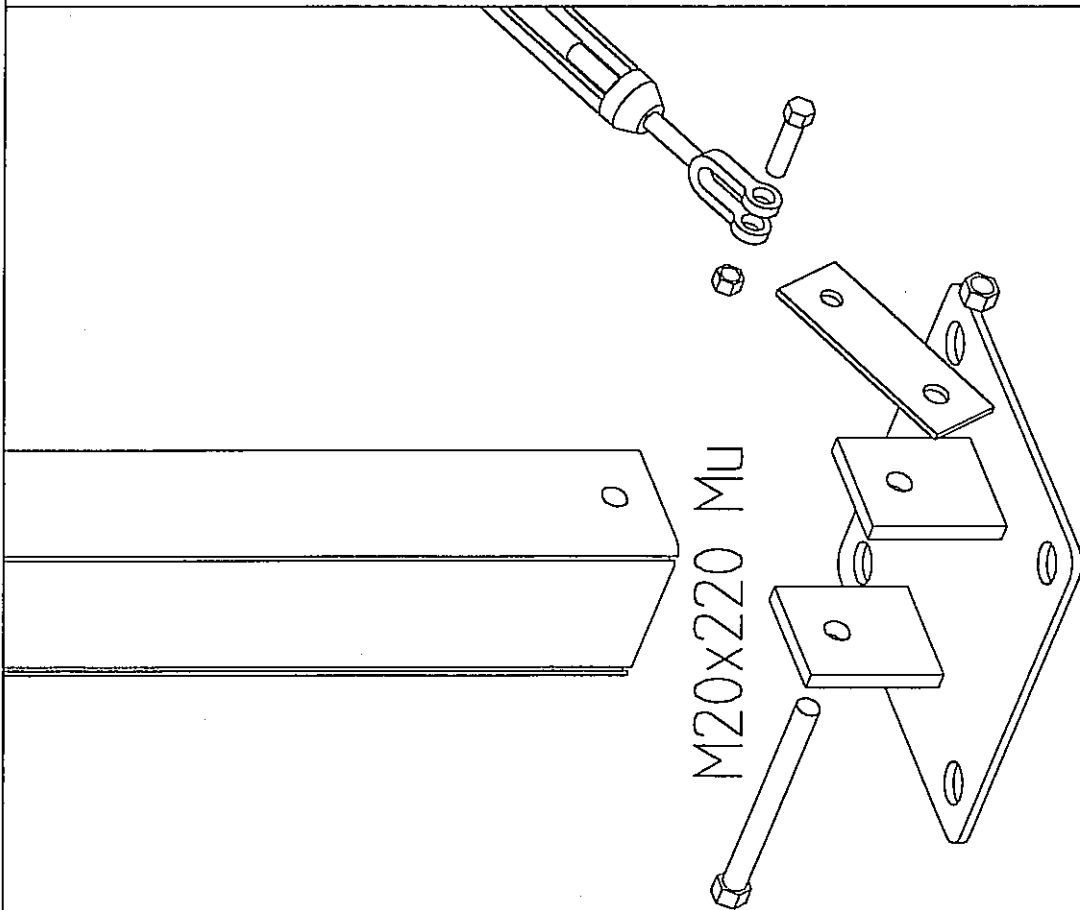


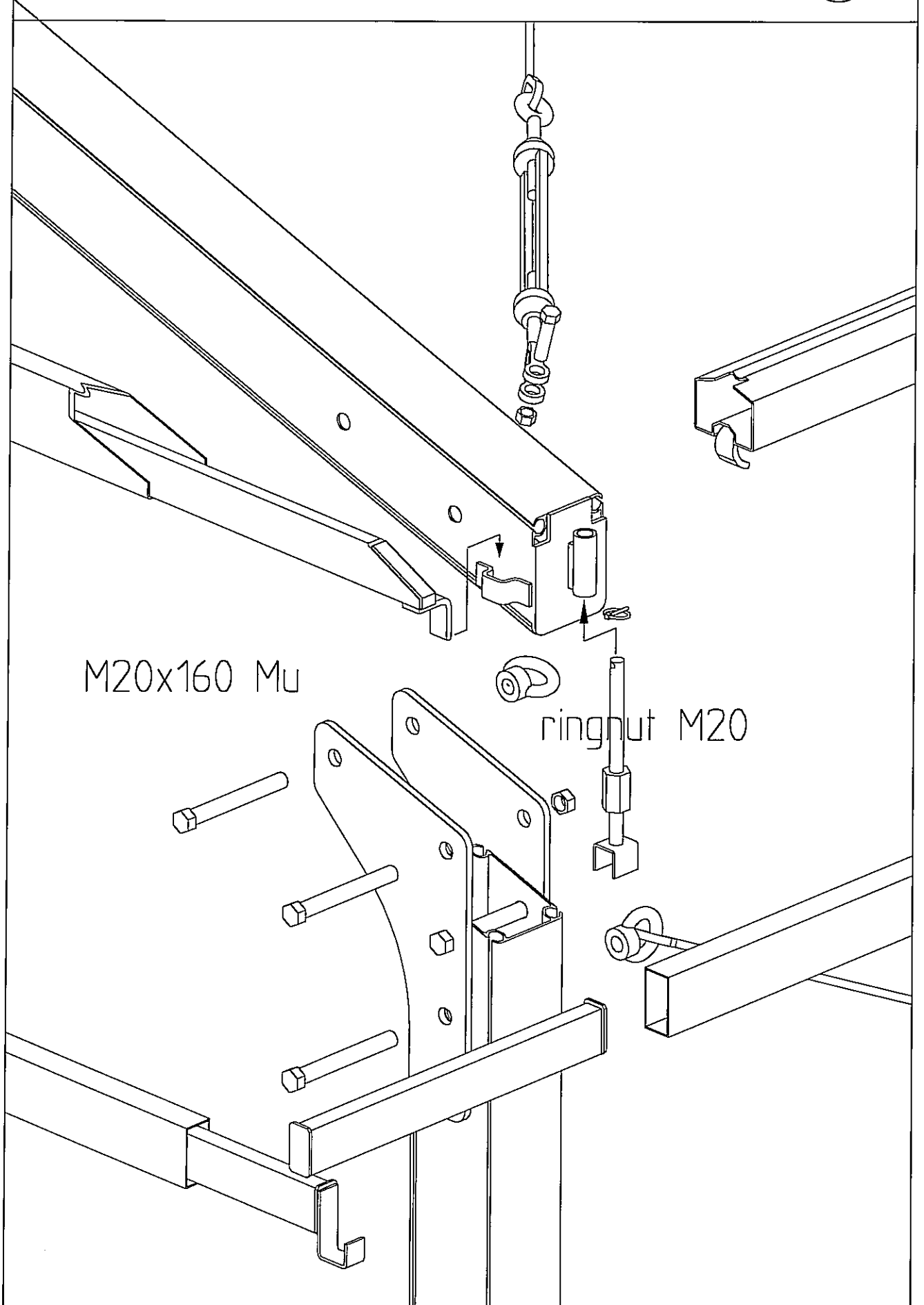
Assembly guide,canvas

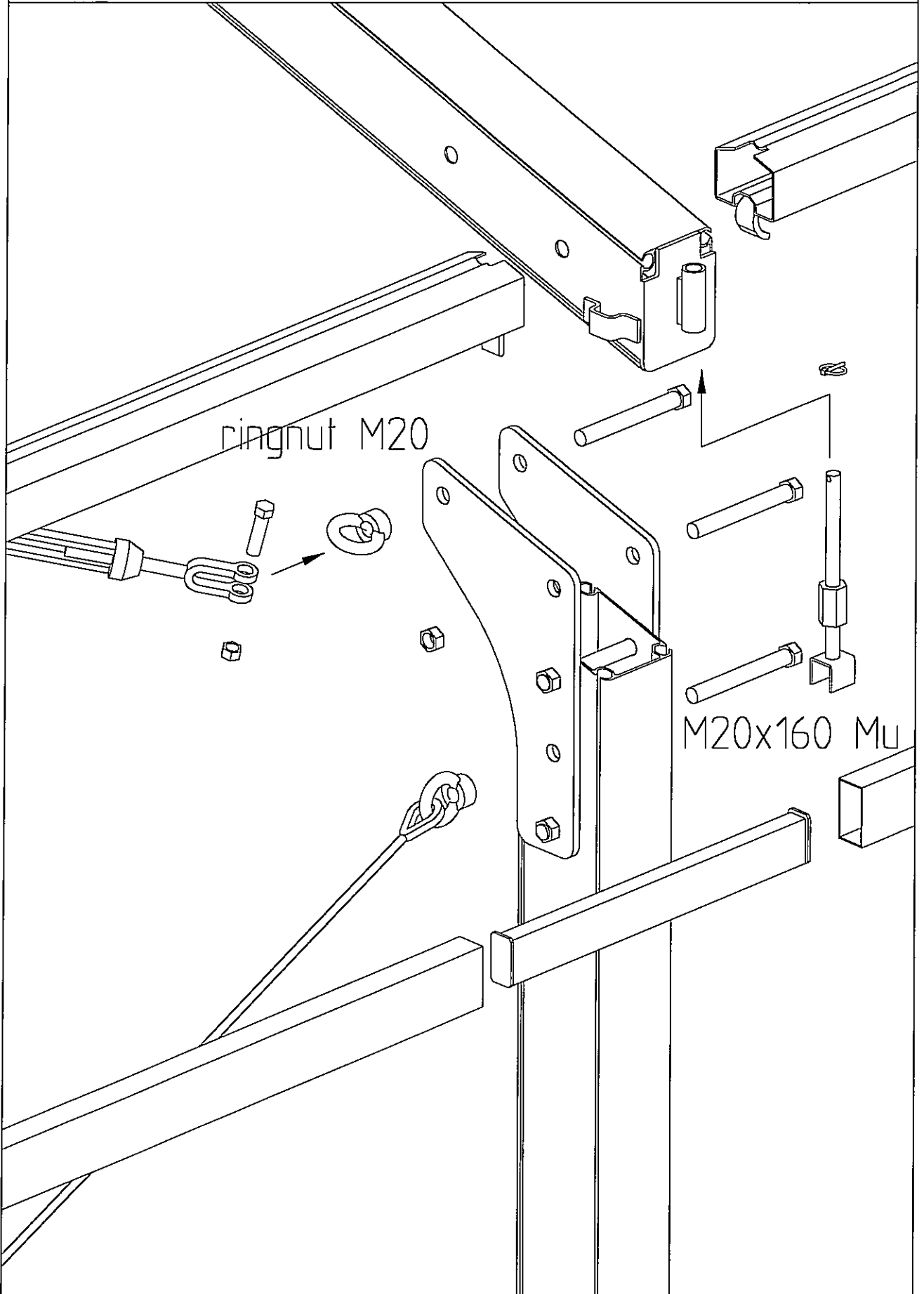
M20x180 MU

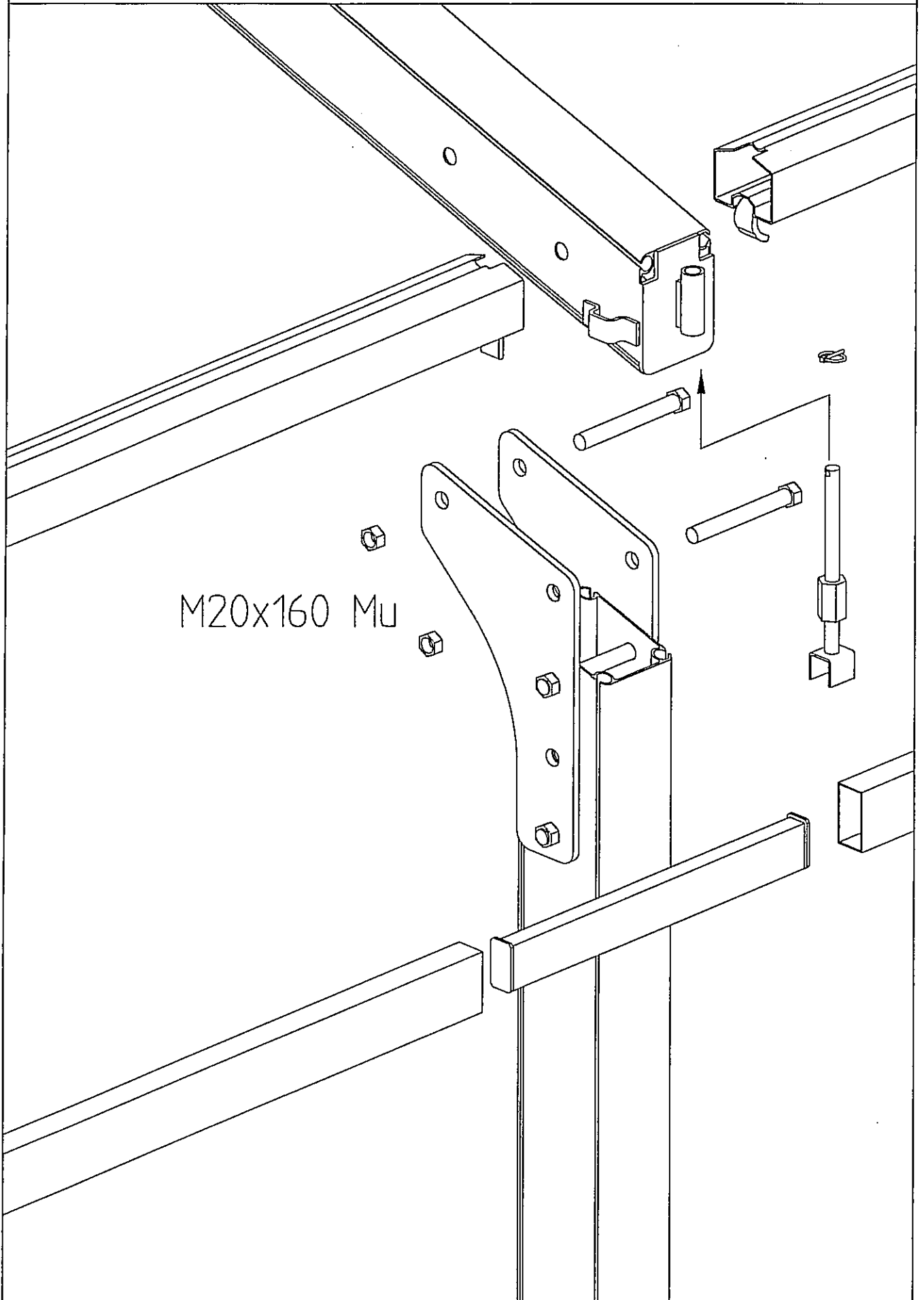


M20x220 MU



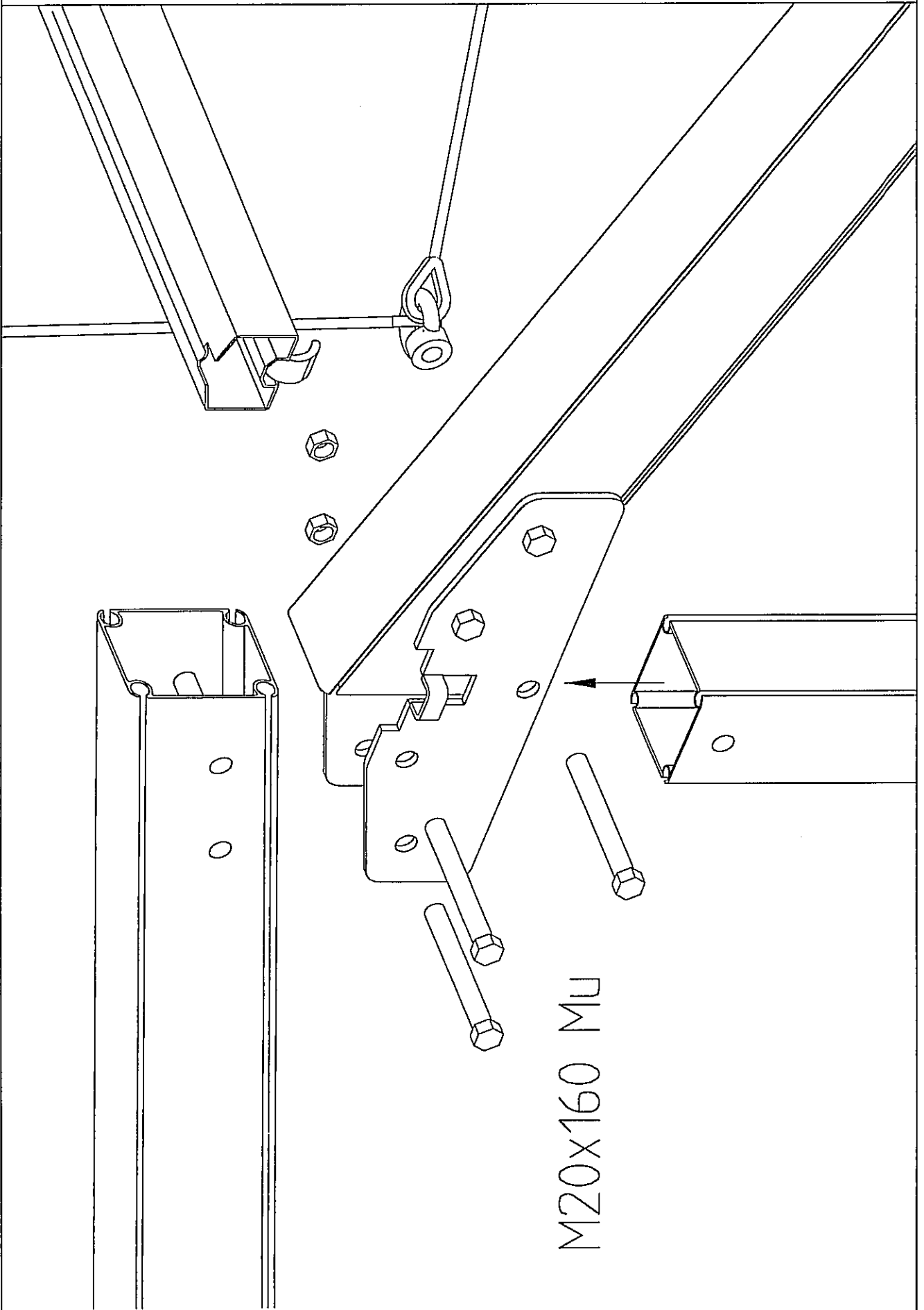






LOSBERGER

6



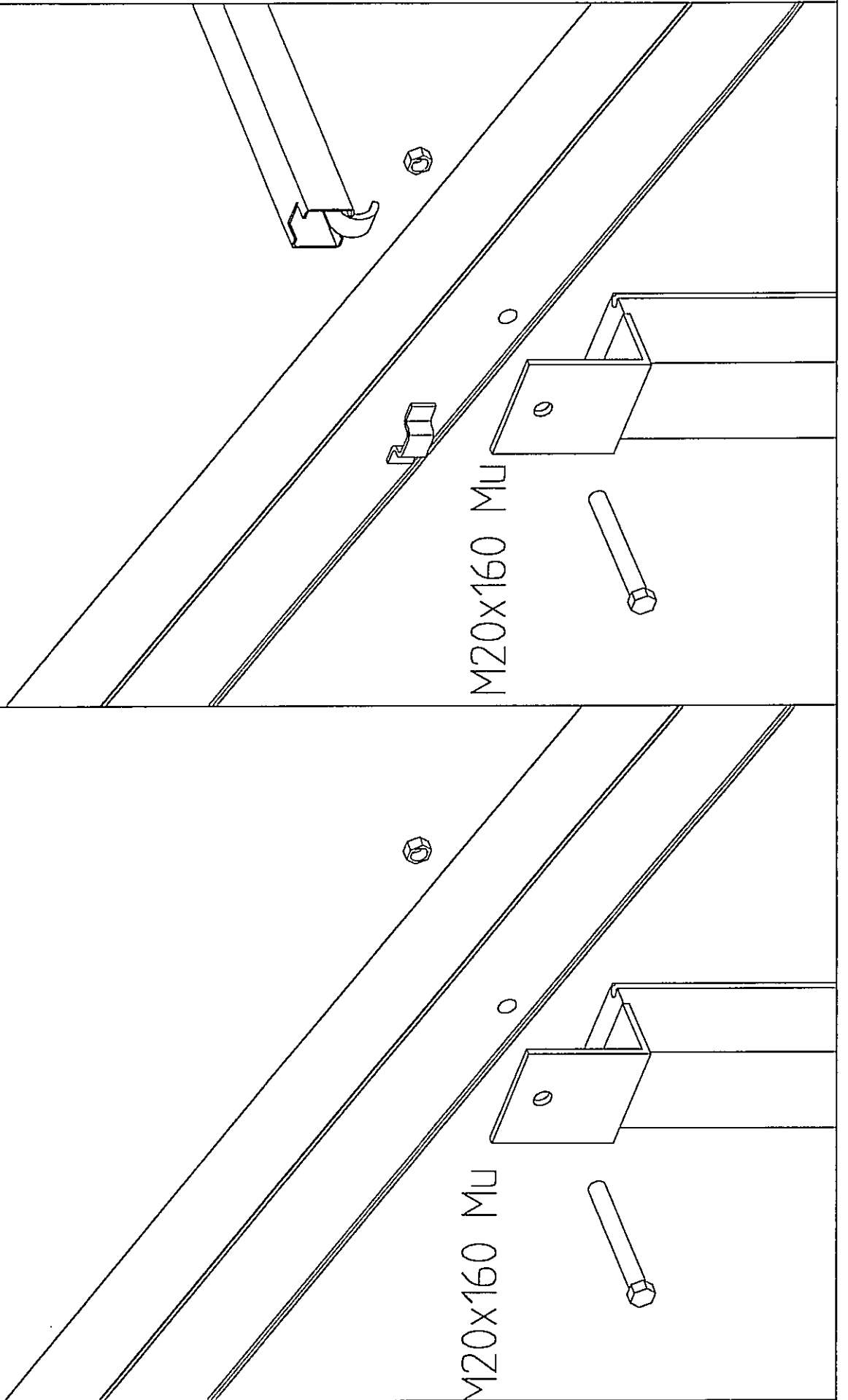
M20x160 MU

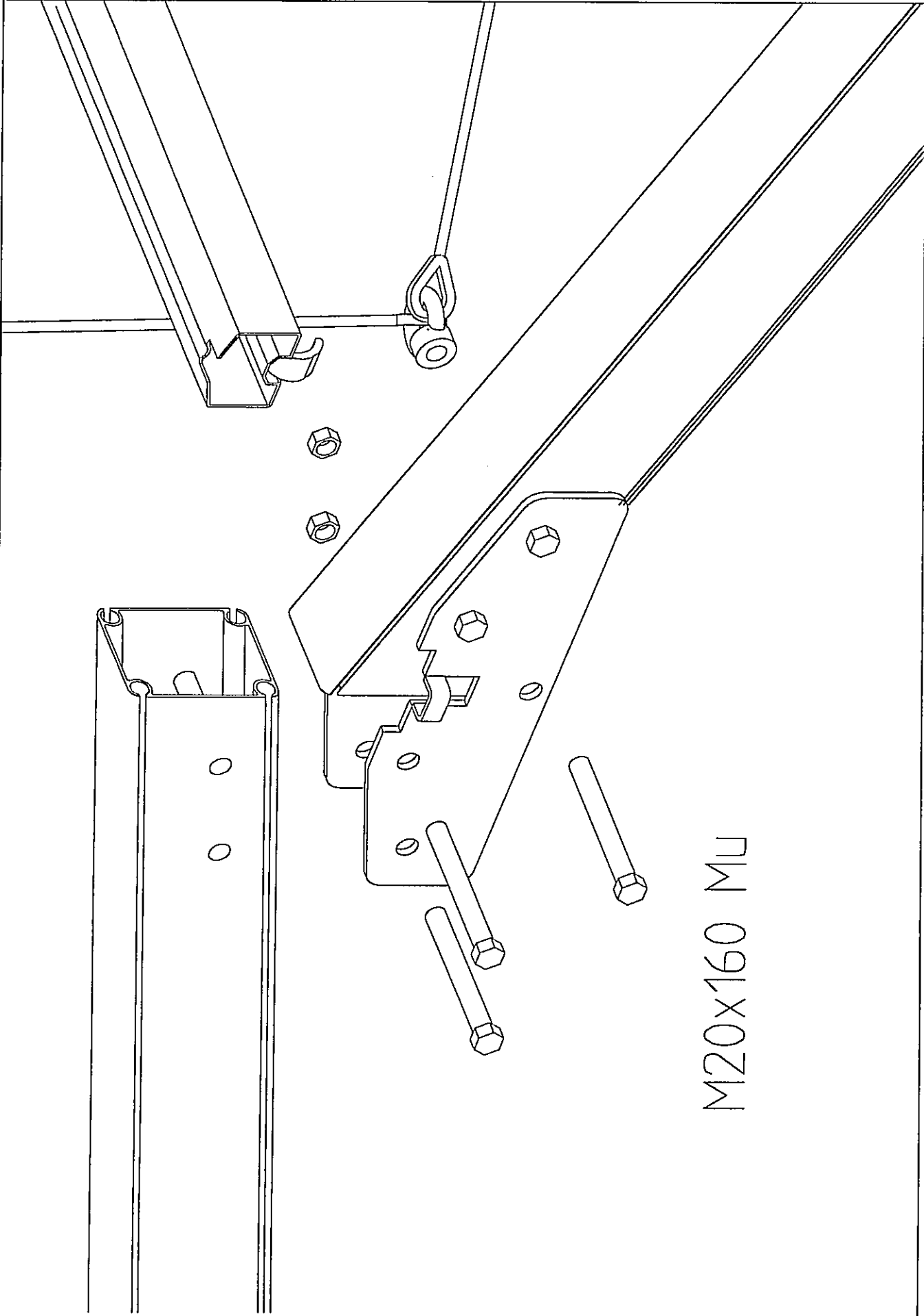
Typ 15,2

M20x160 MU

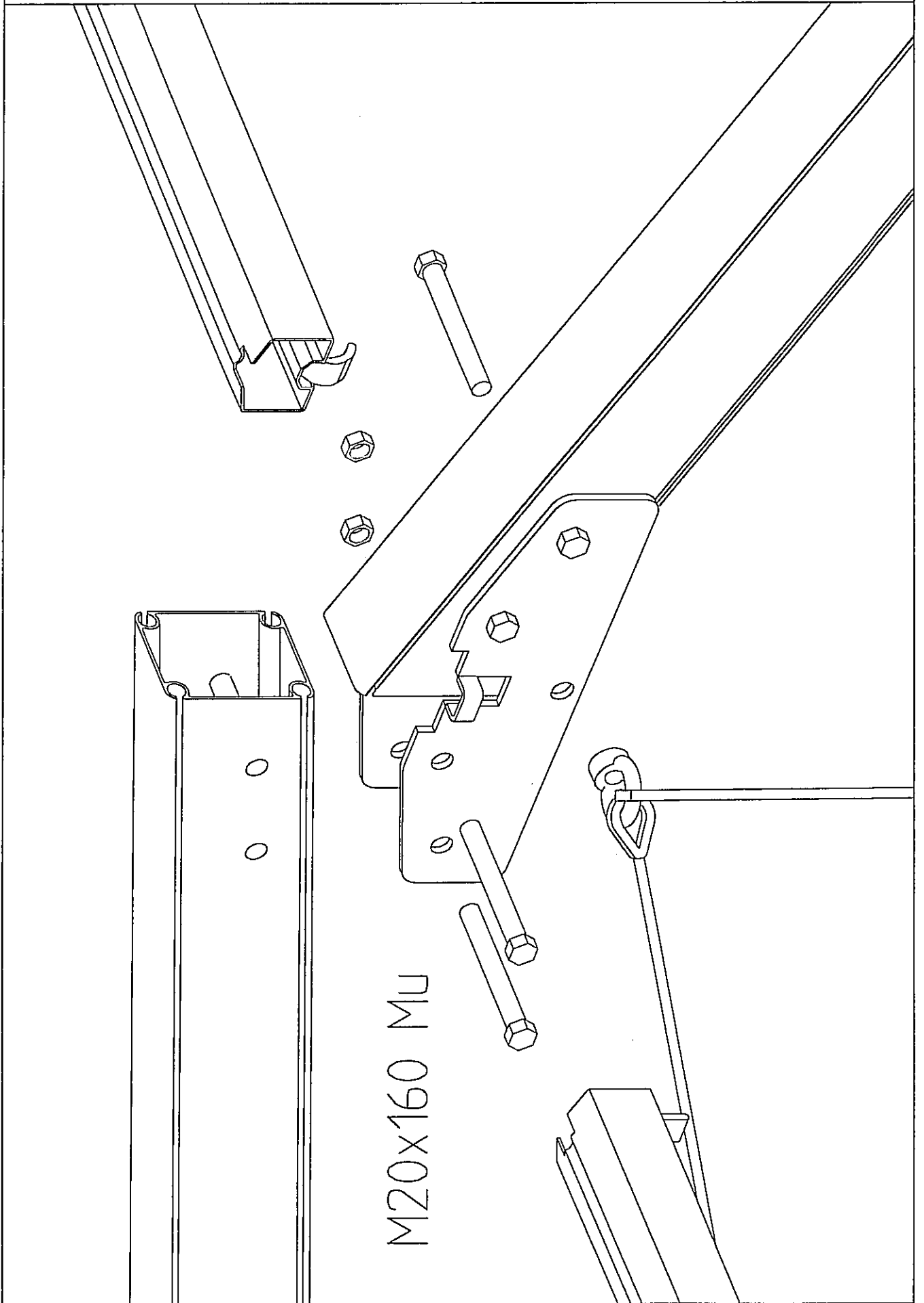
Typ 12,2

M20x160 MU

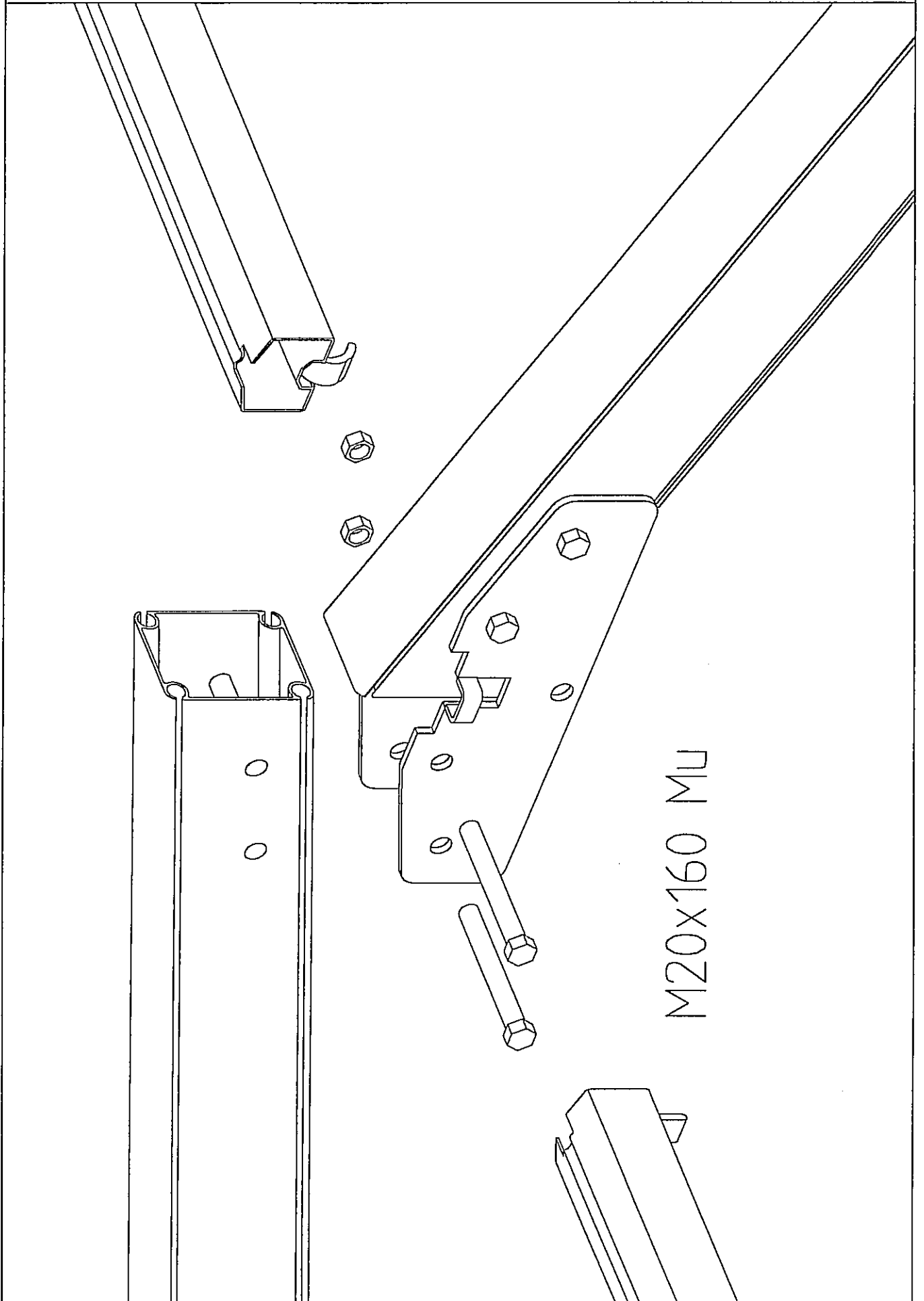




M20x160 MU



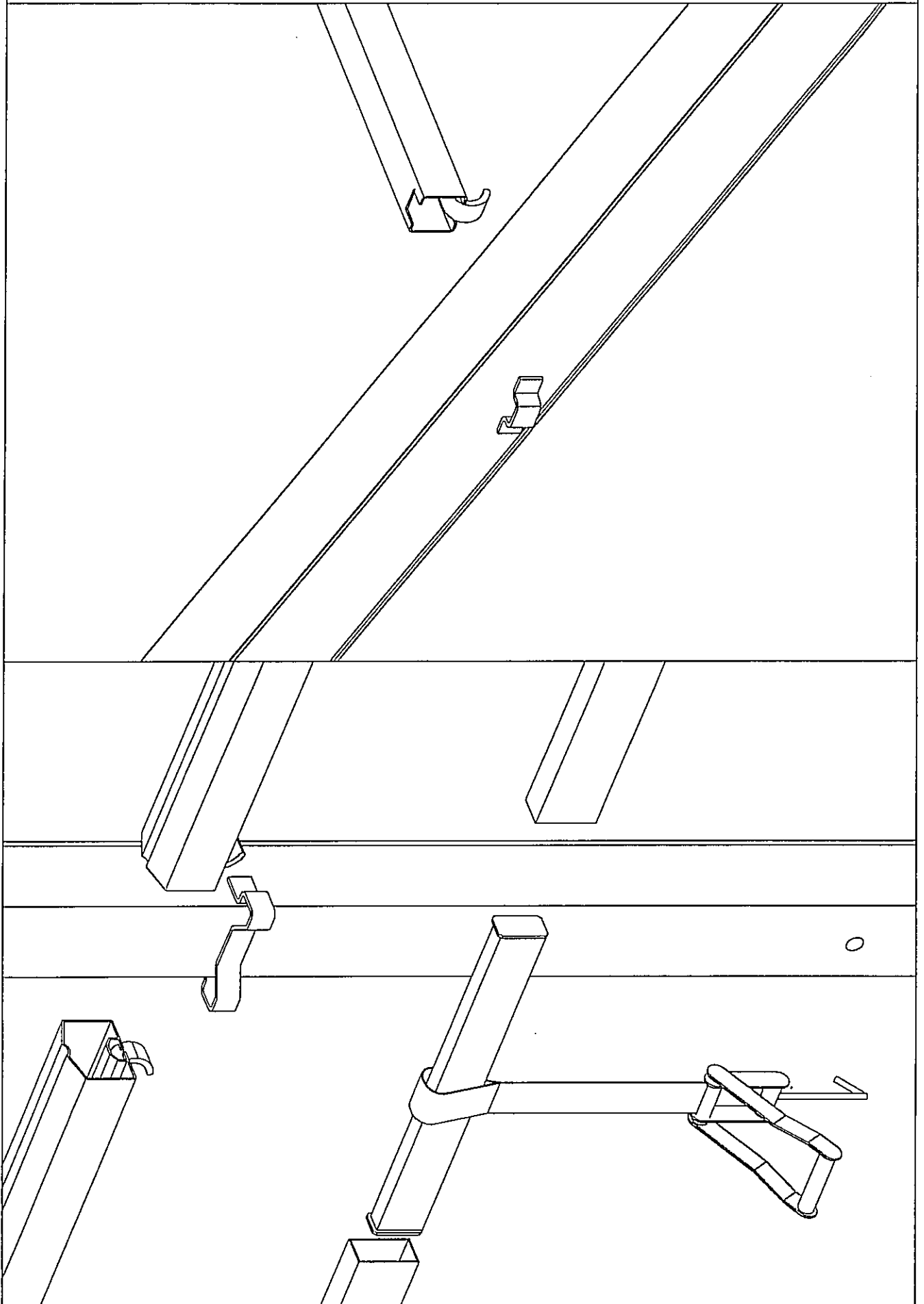
M20x160 MU

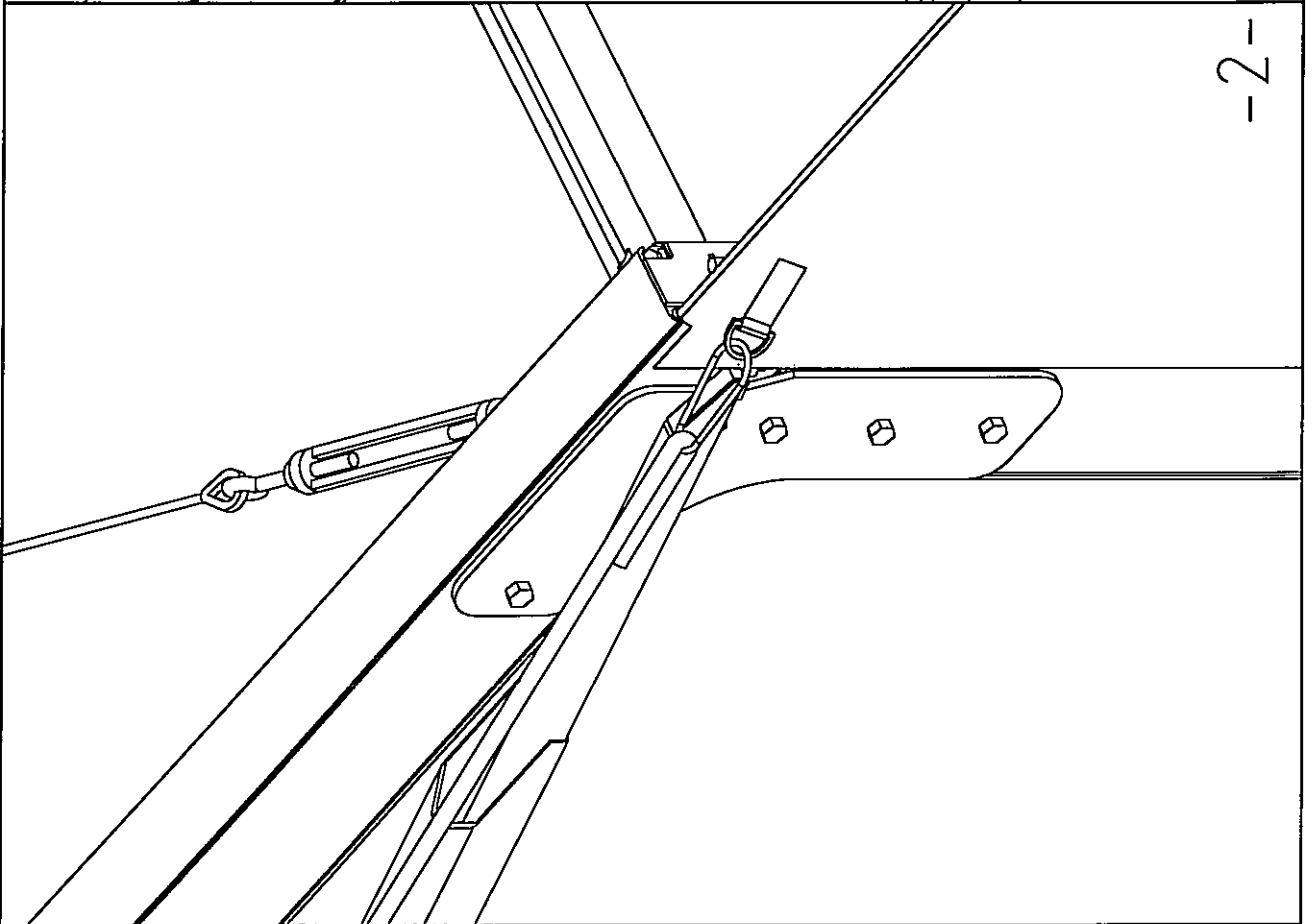
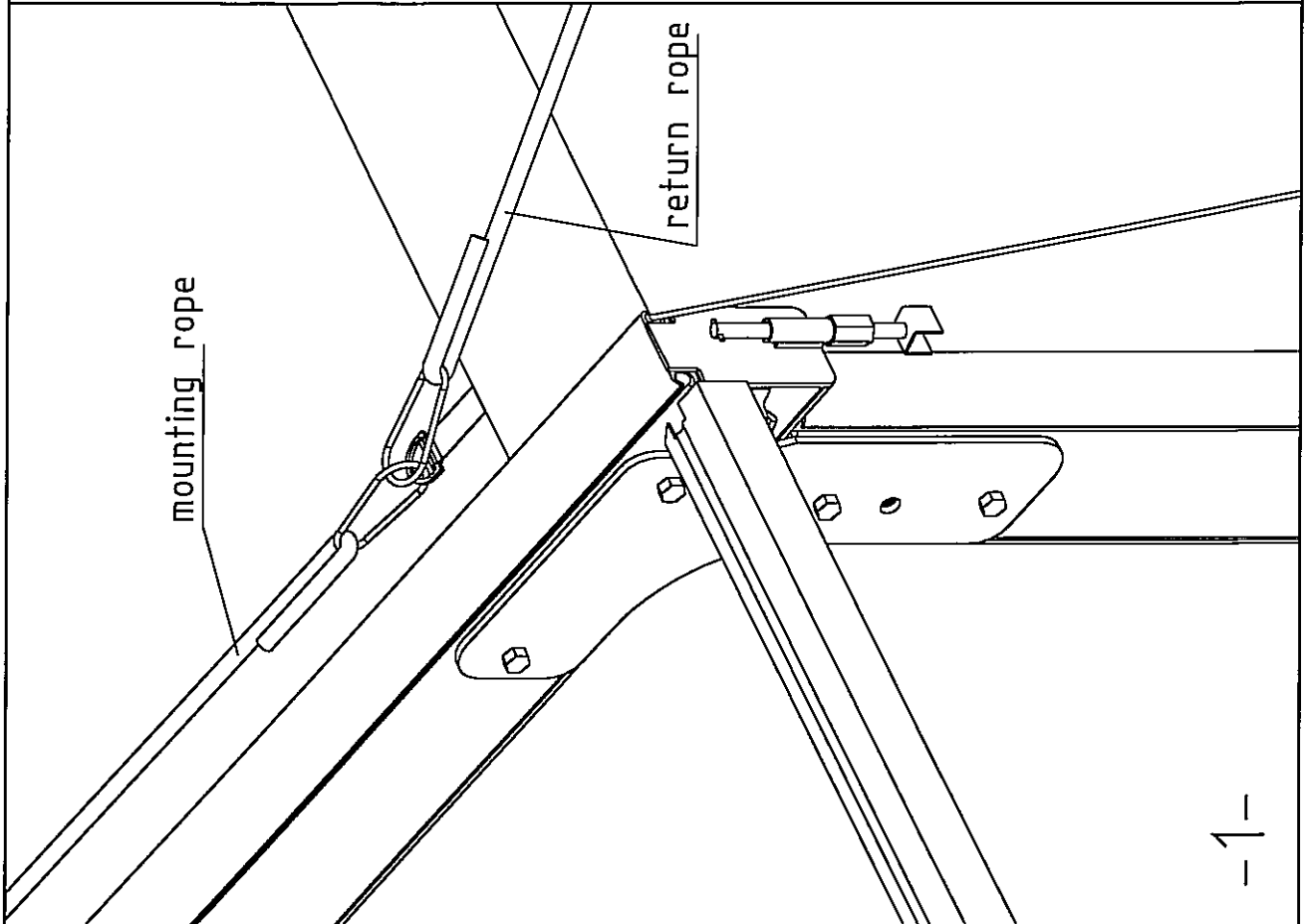


M20x160 MU

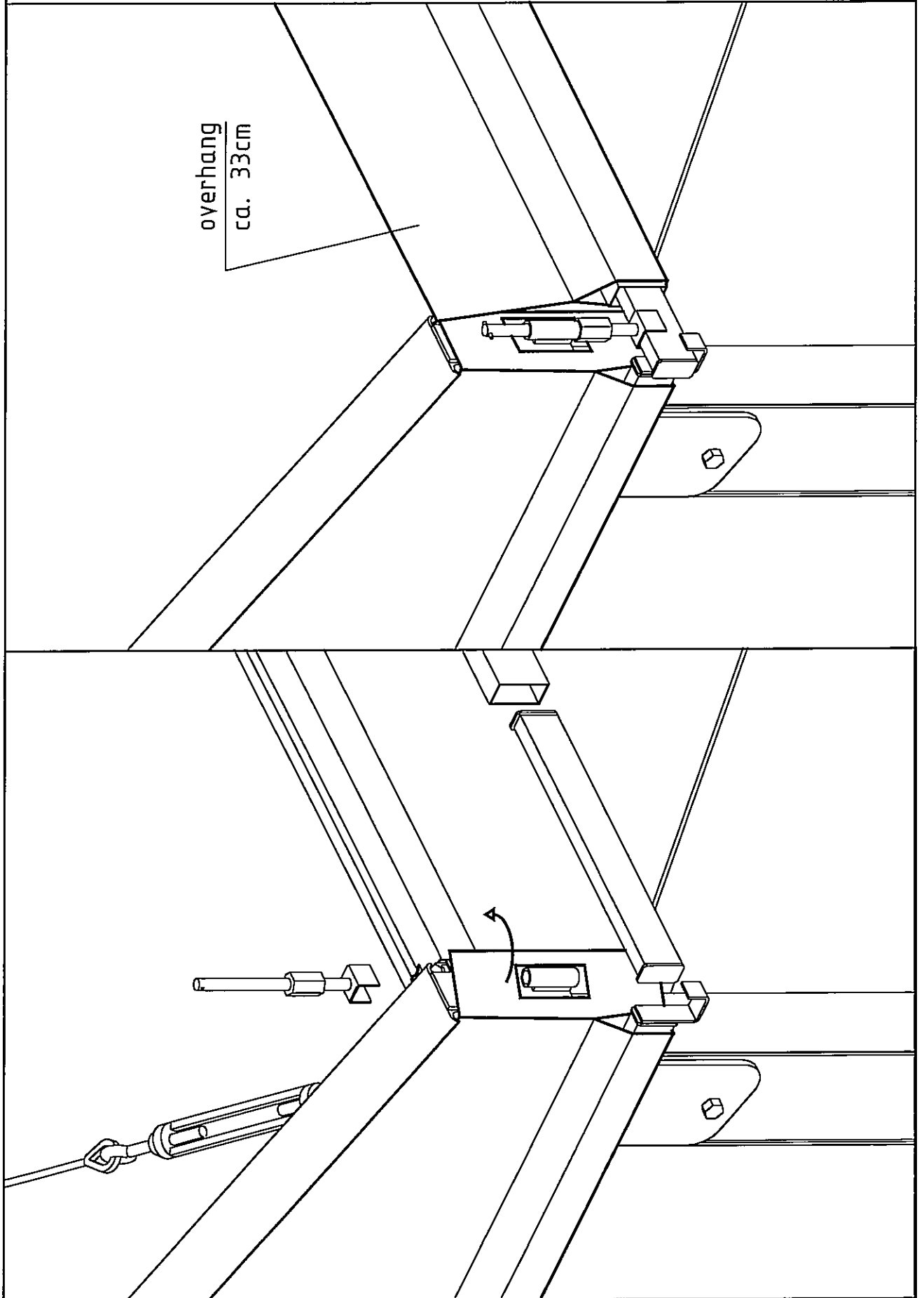
L LOSBERGER

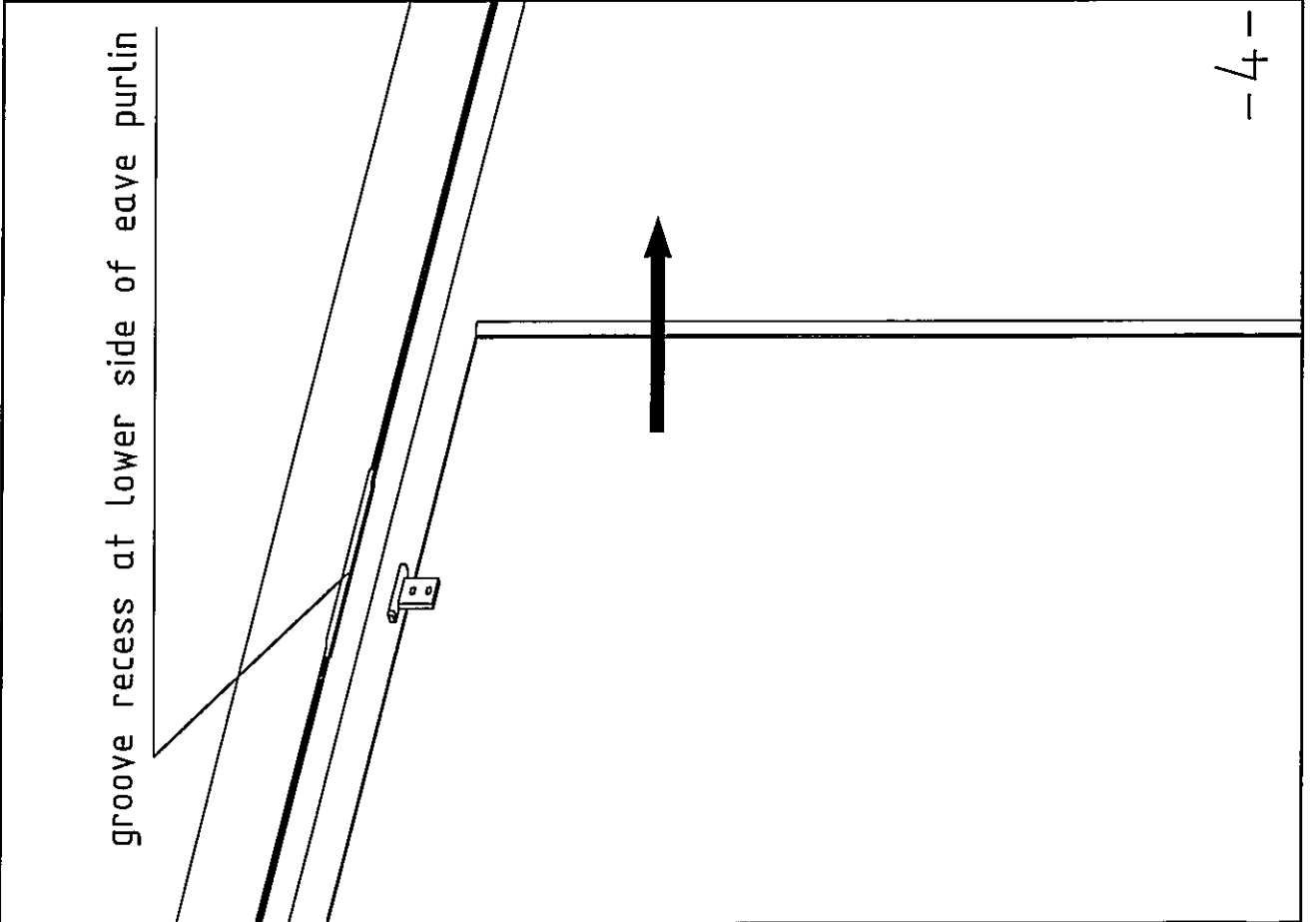
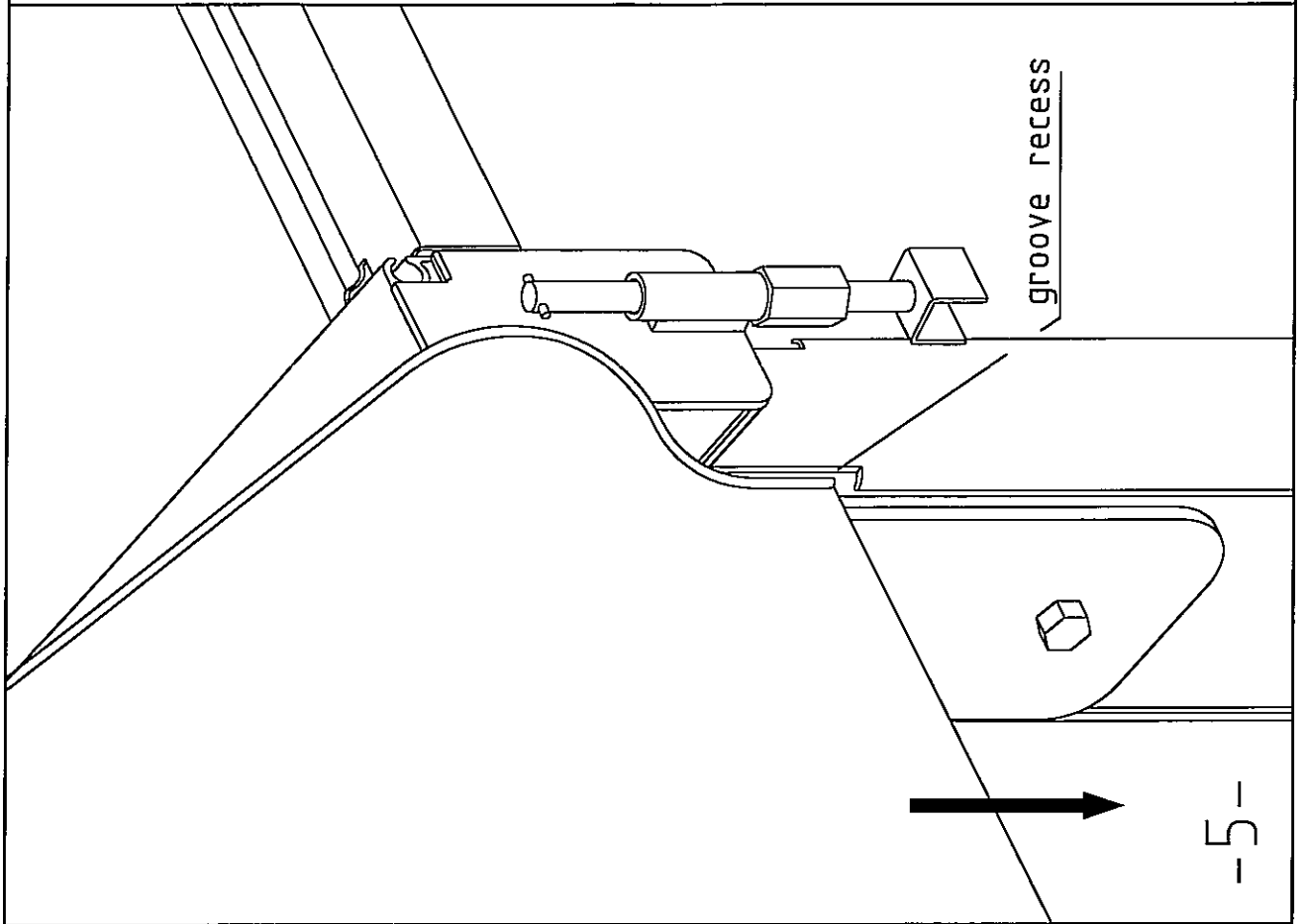
10 11





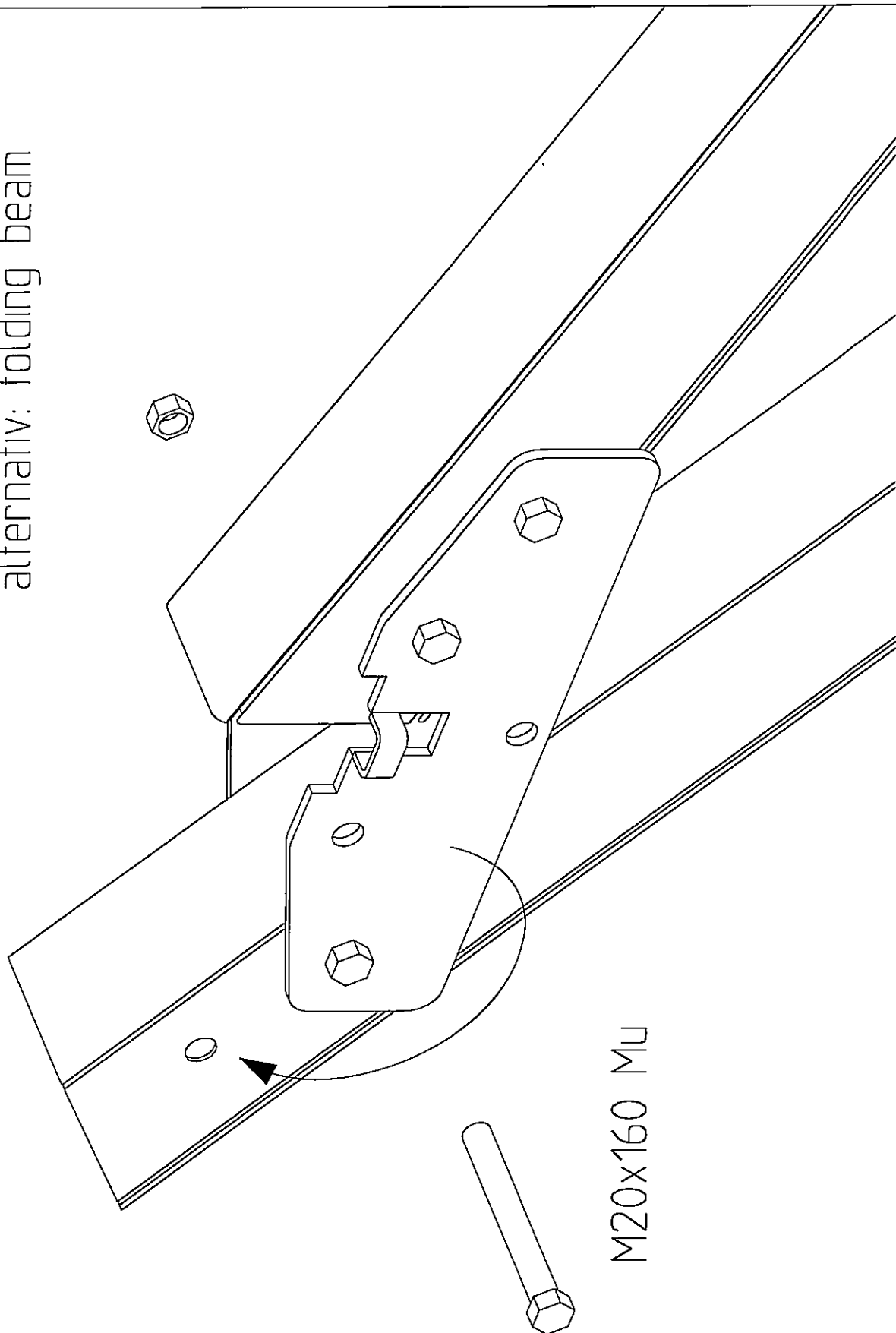
overhang
ca. 33cm







alternativ: folding beam



M20x160 MU