

LOSBERGER

Party and exhibition tents system maxiflex

Assembly guide

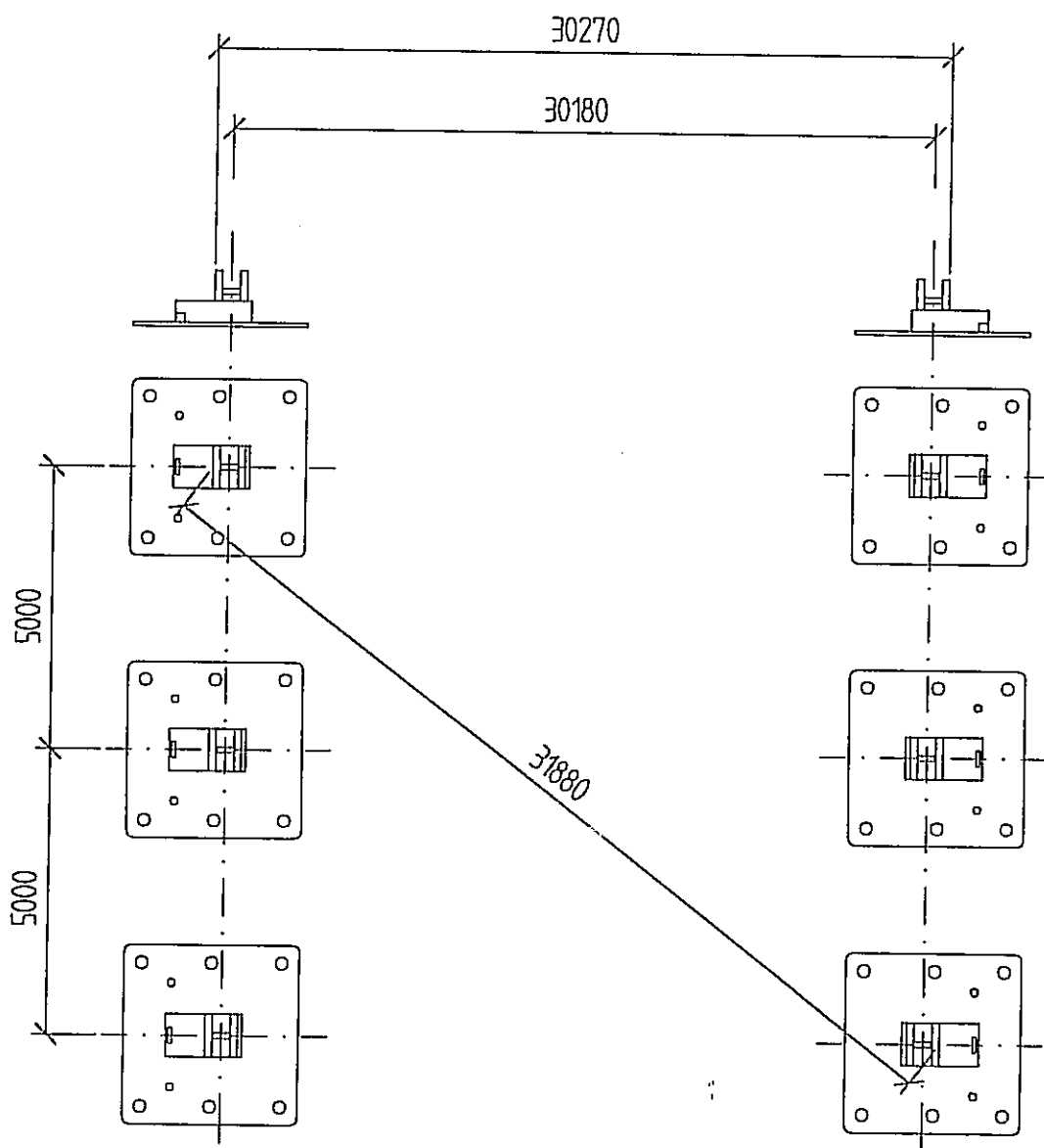
Type 30,5/400

Losberger Intertent GmbH * Gottlieb-Daimler-Ring 14 * 74906 Bad Rappenau

Phone +49/7066/980-0 * Fax +49/7066/980-232

LOSBERGER

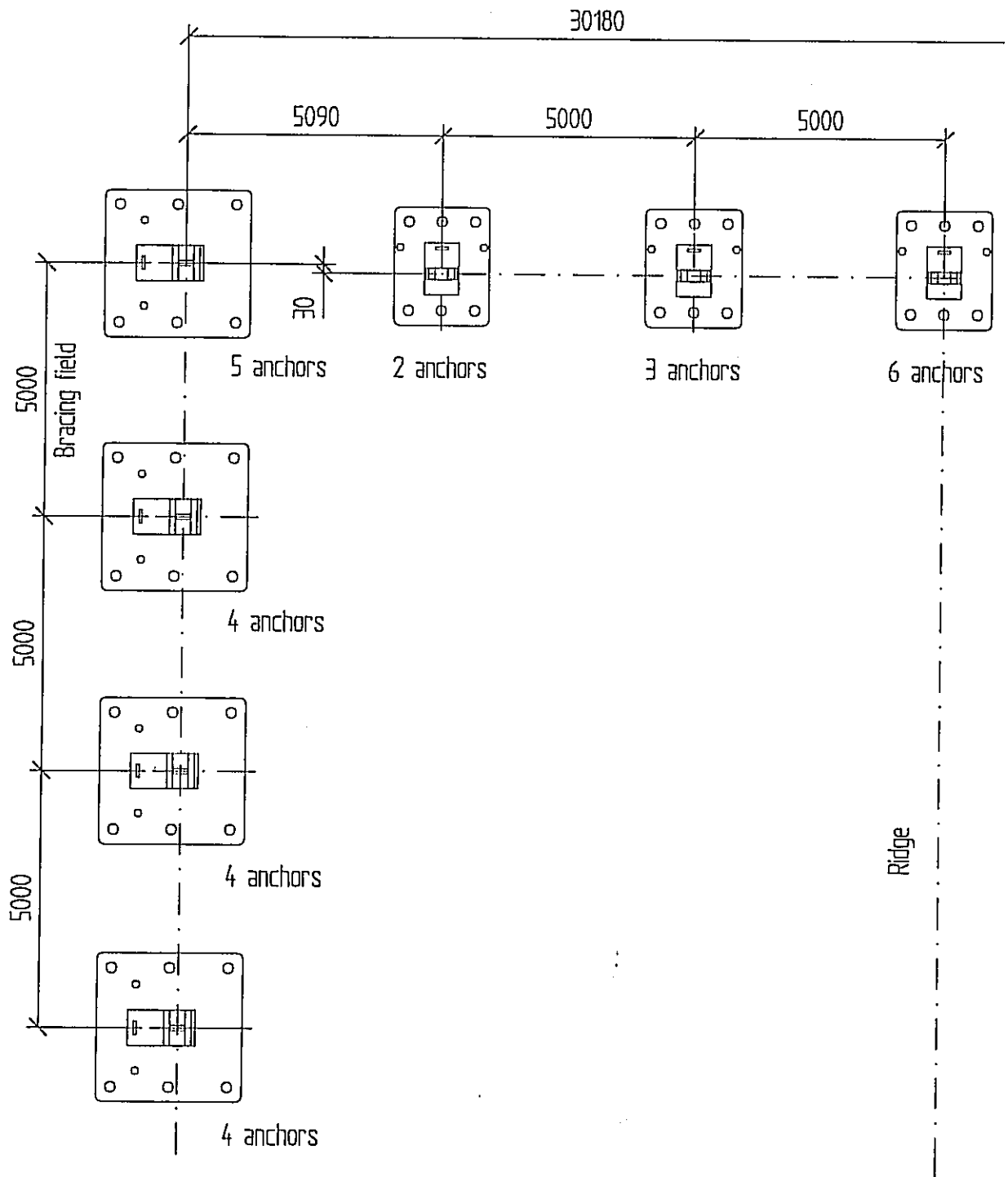
Measurement sketch for frame pole-base plates



LOSBERGER

Measurement sketch for gable pole-base plates Anchoring 30,5/400

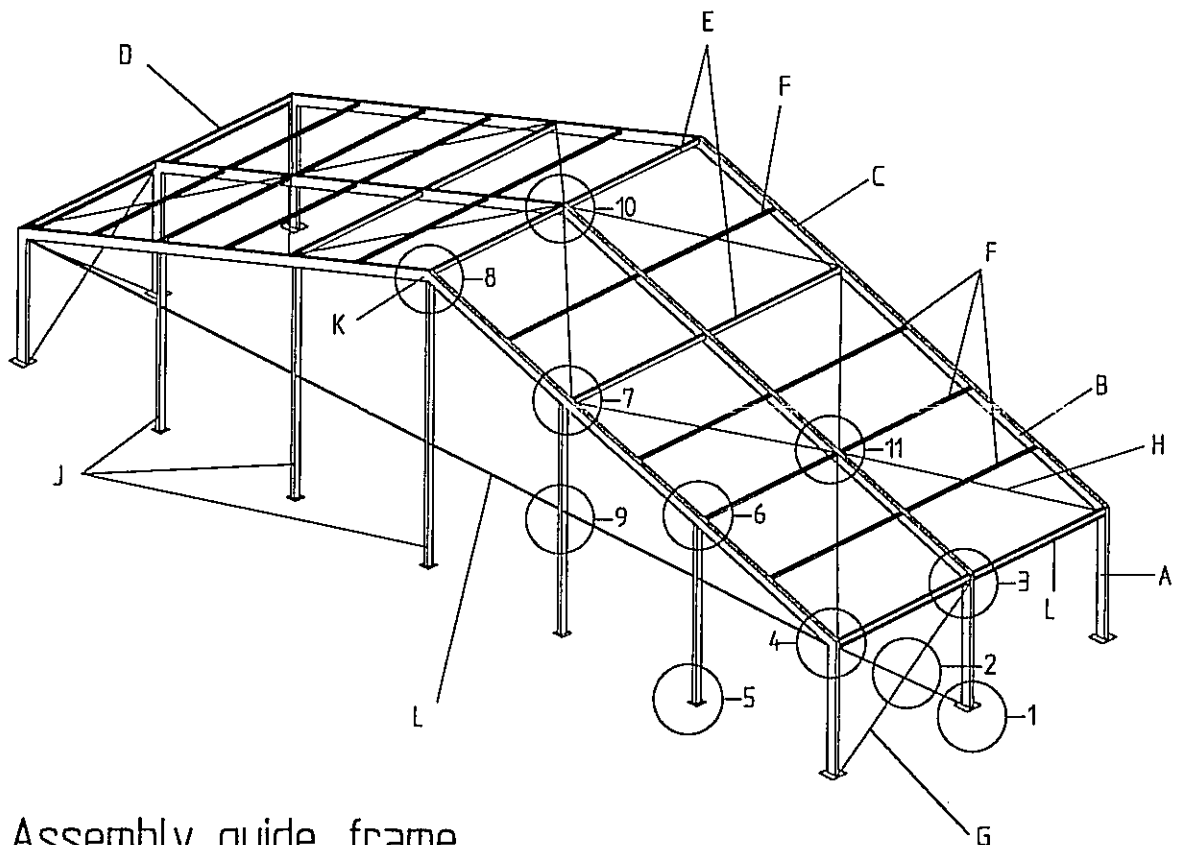
Steel anchor $\phi 30$ mm, driving depth $l=1,00$ m



LOSBERGER

Party and exhibition tent 30,5/340-400

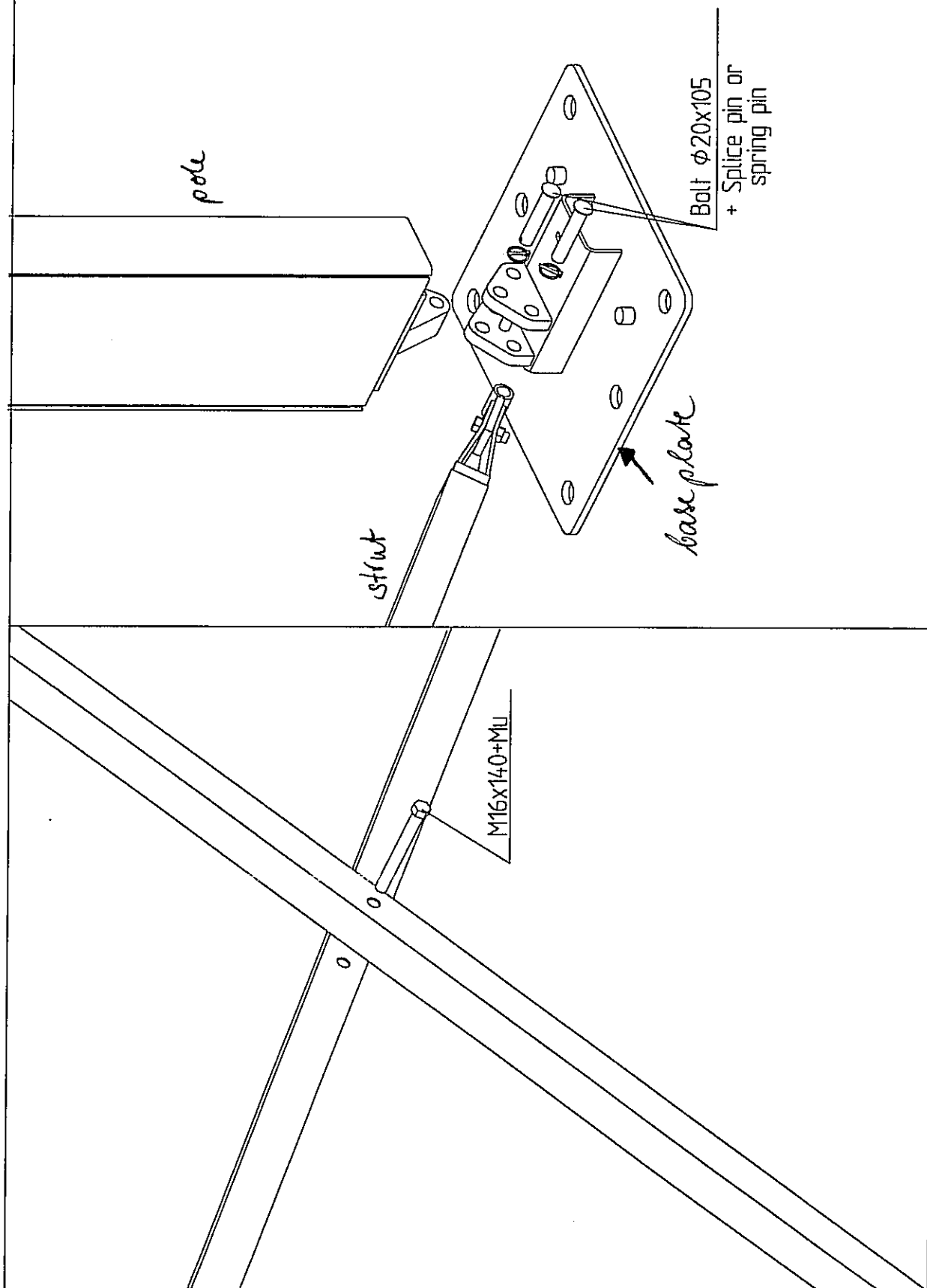
- A - frame pole
- B - frame beam 10 m
- C - frame beam 5 m
- D - eave purlin 100x140
- E - ridge or bracing purlin 100x140
- F - intermediate purlin 80x80
- G - cross brace
- H - roof wire cable
- J - gable pole
- K - ridge
- L - curtain tube

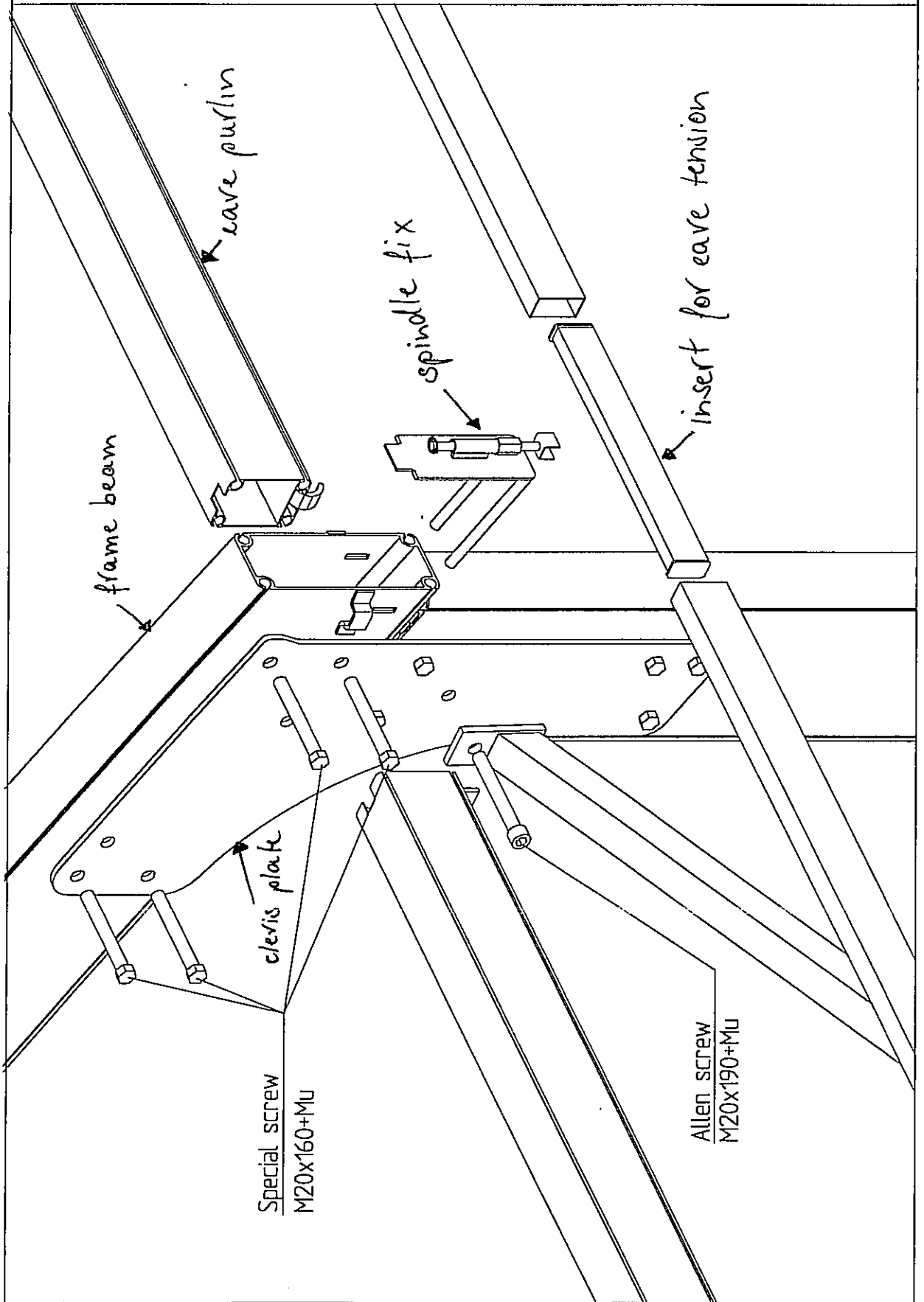


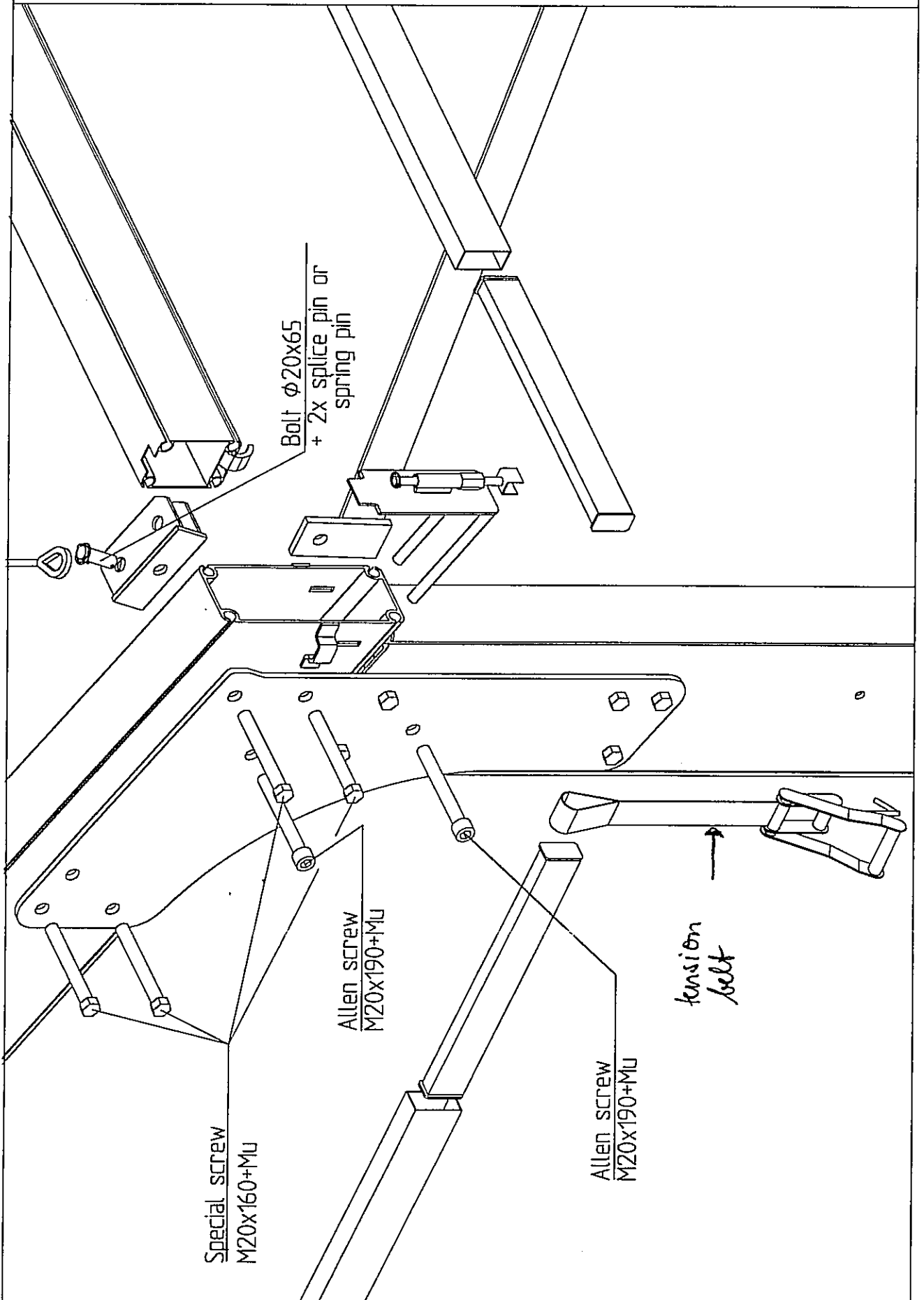
Assembly guide, frame

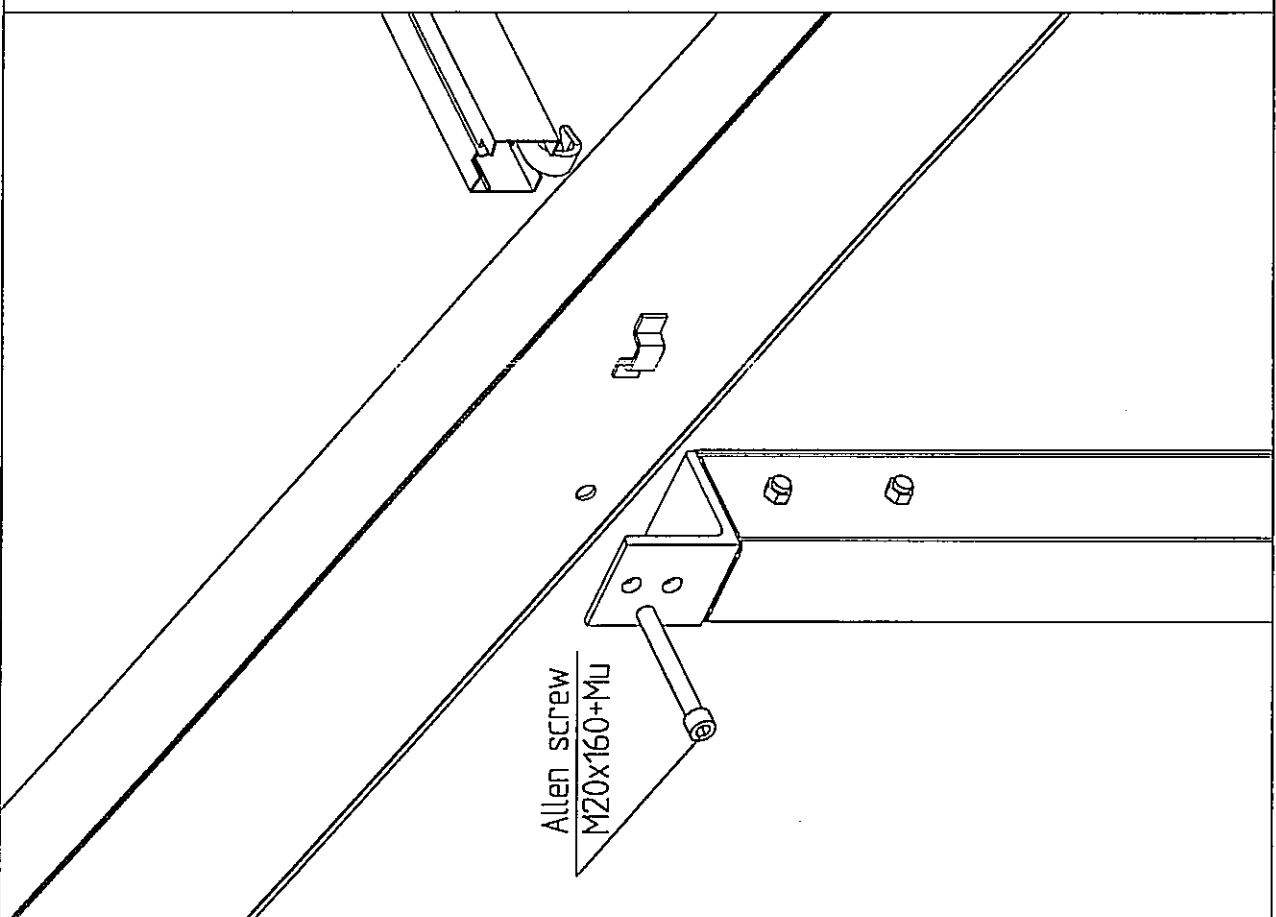
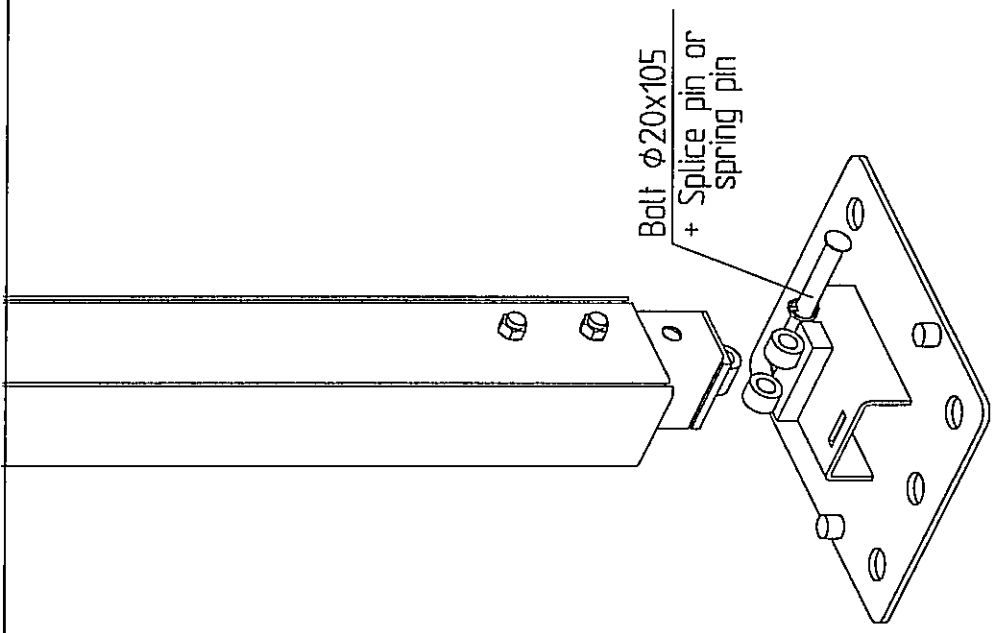
LOSBERGER

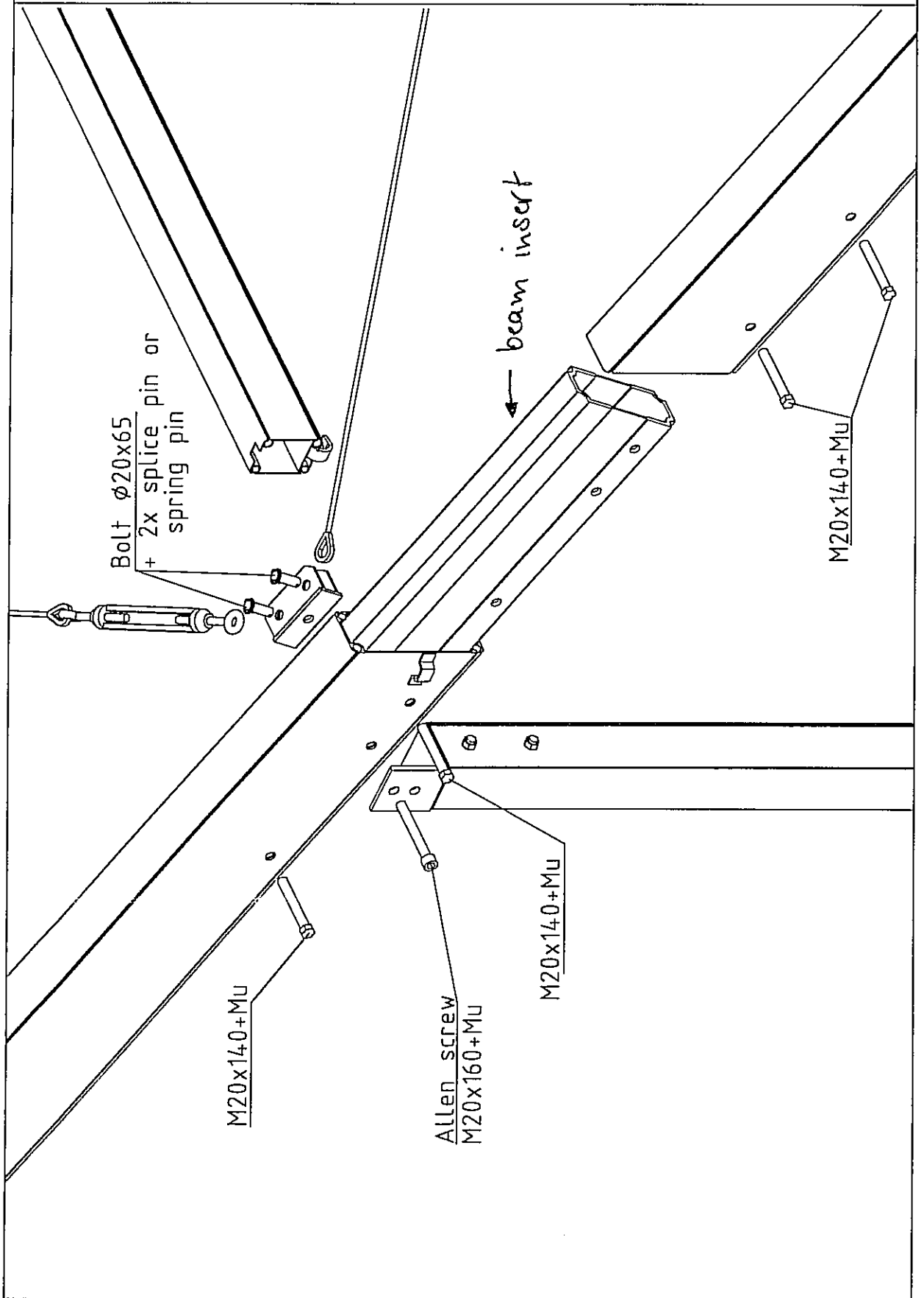
1 2





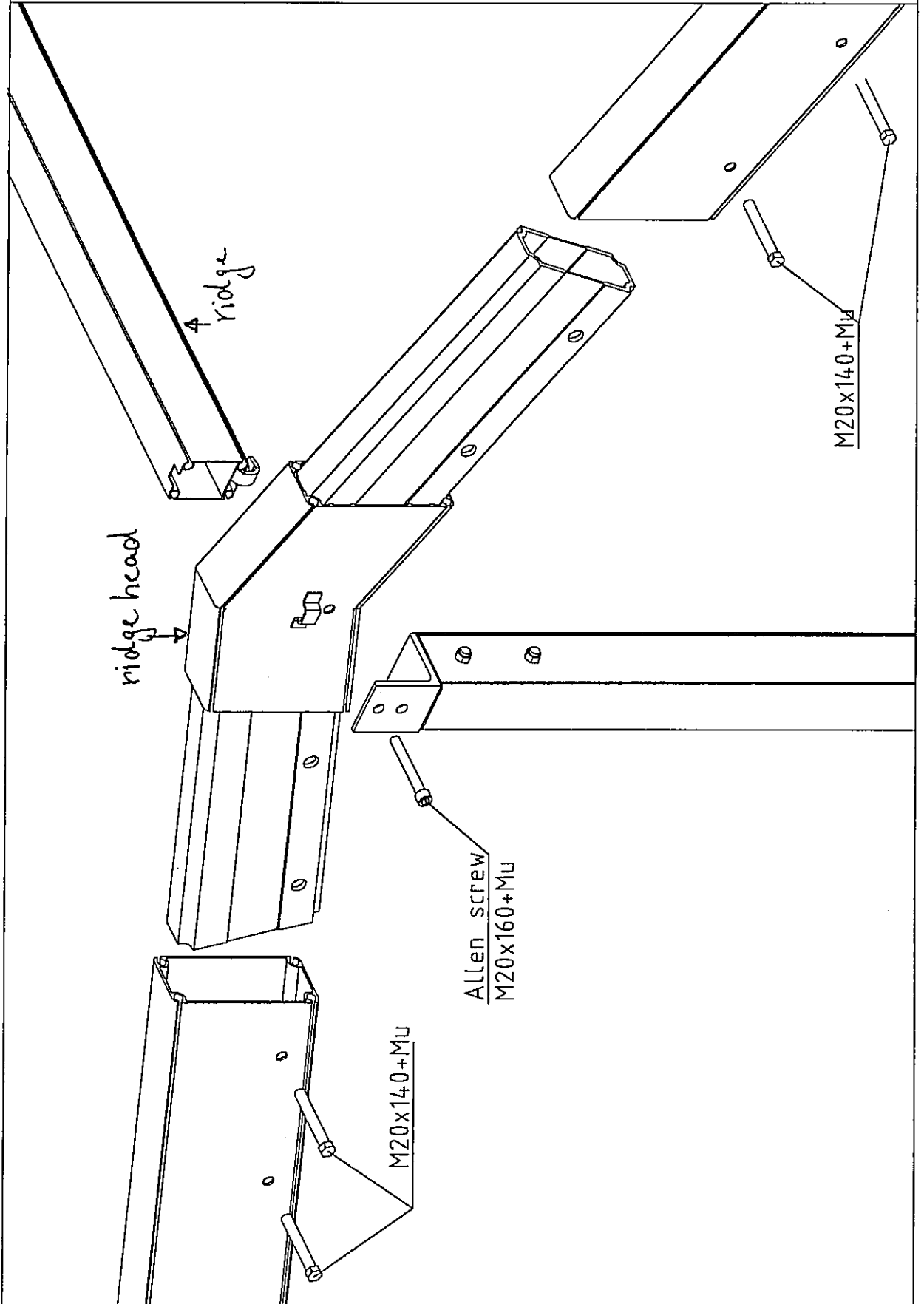


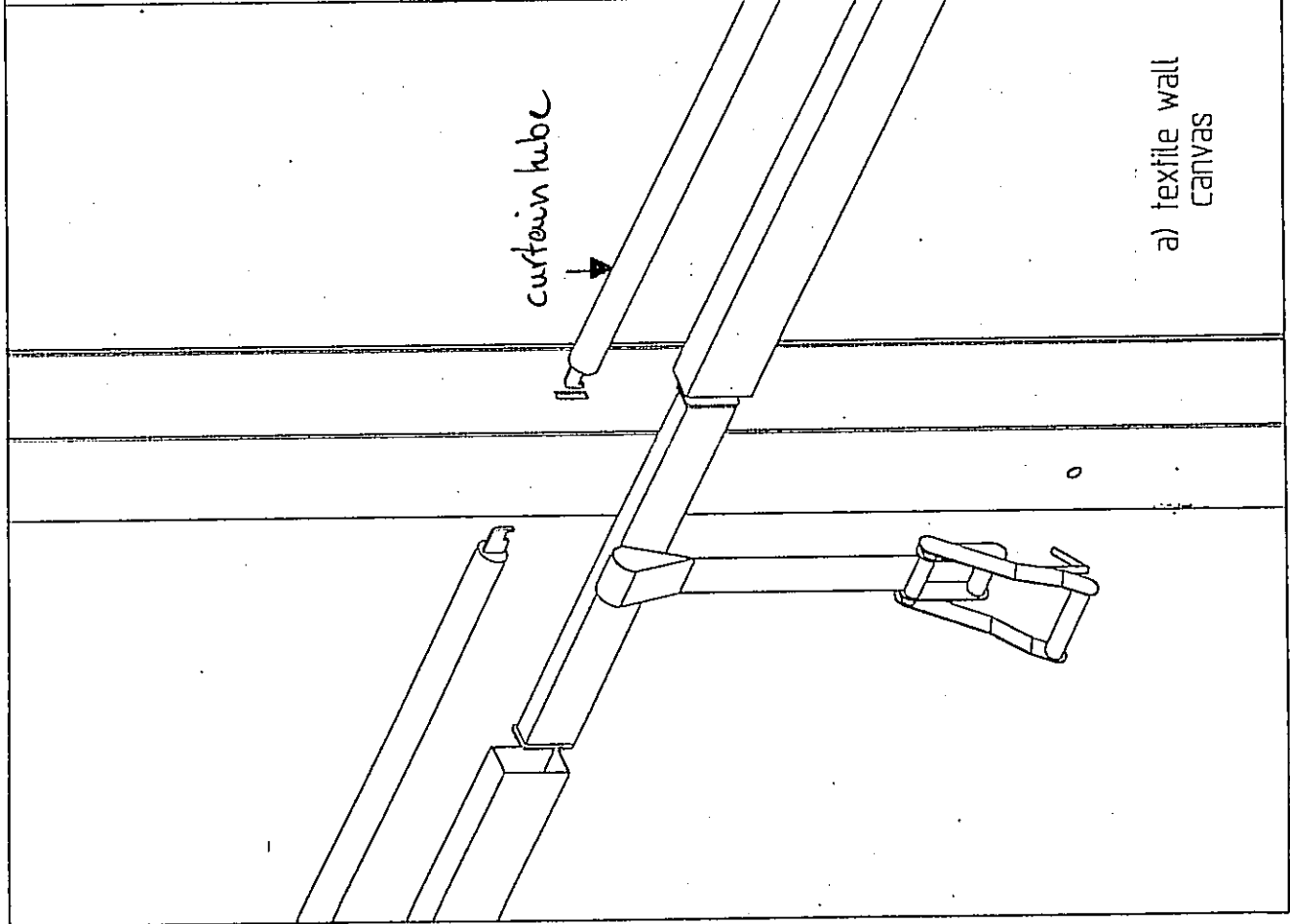
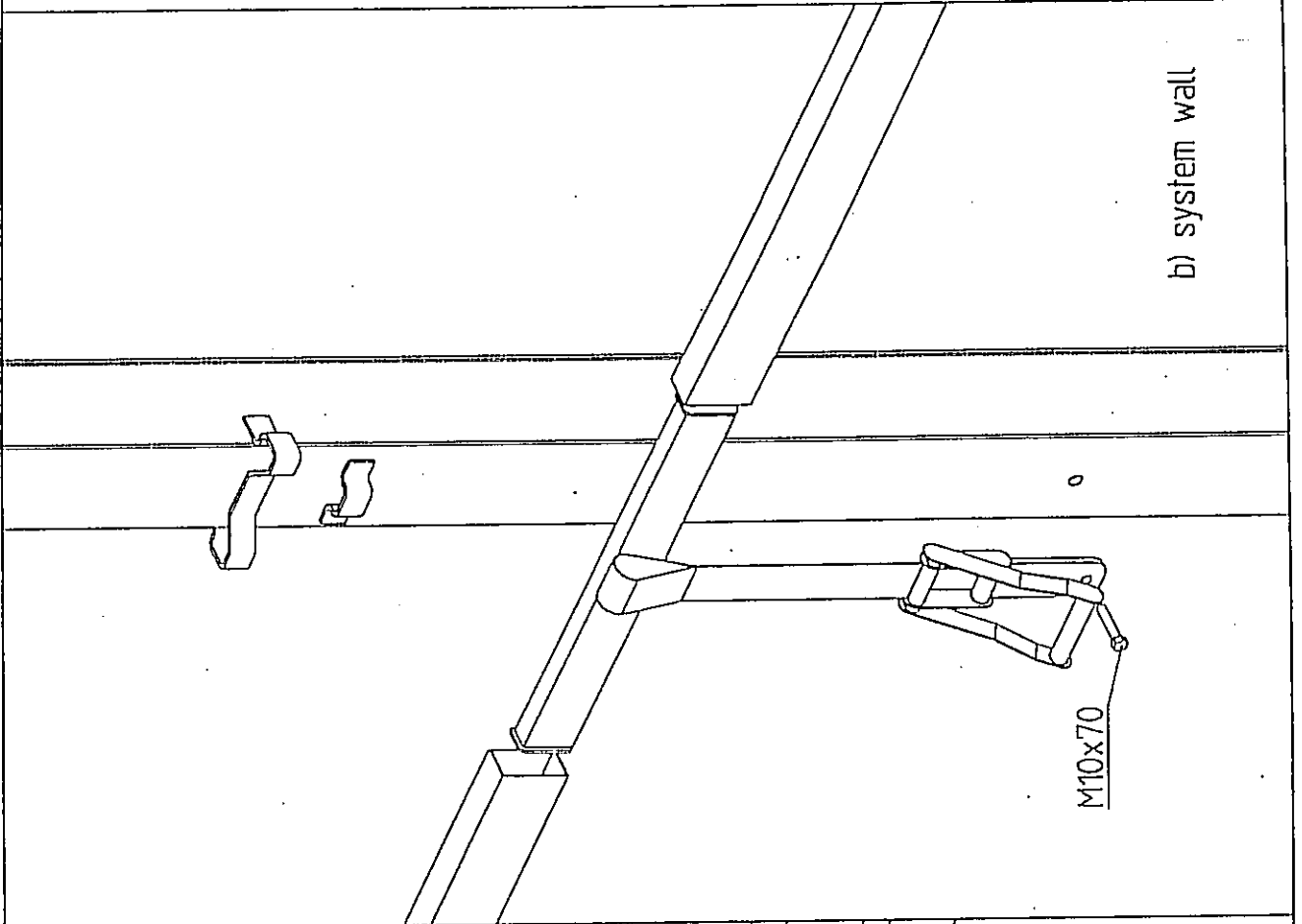


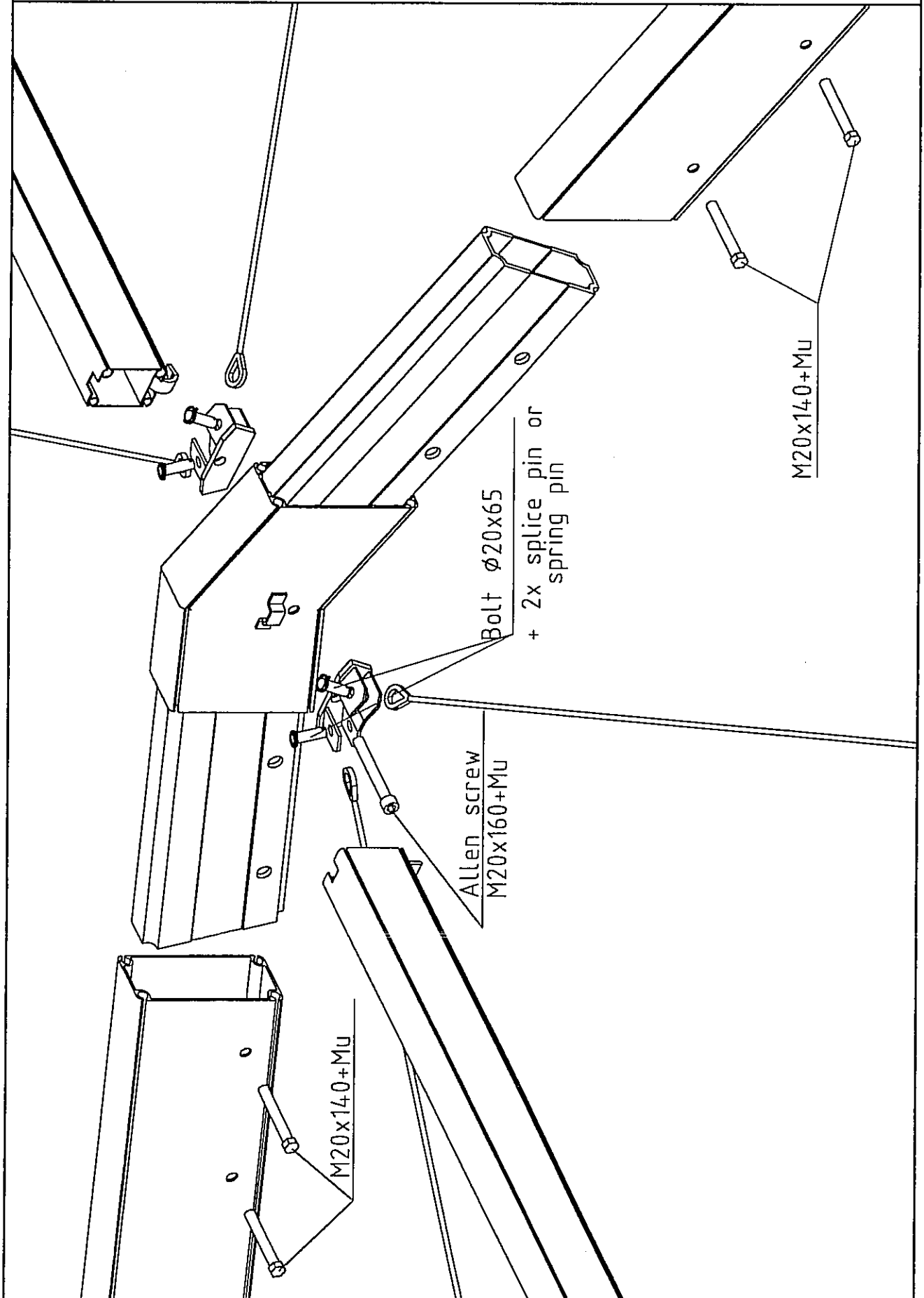


L LOSBERGER

8





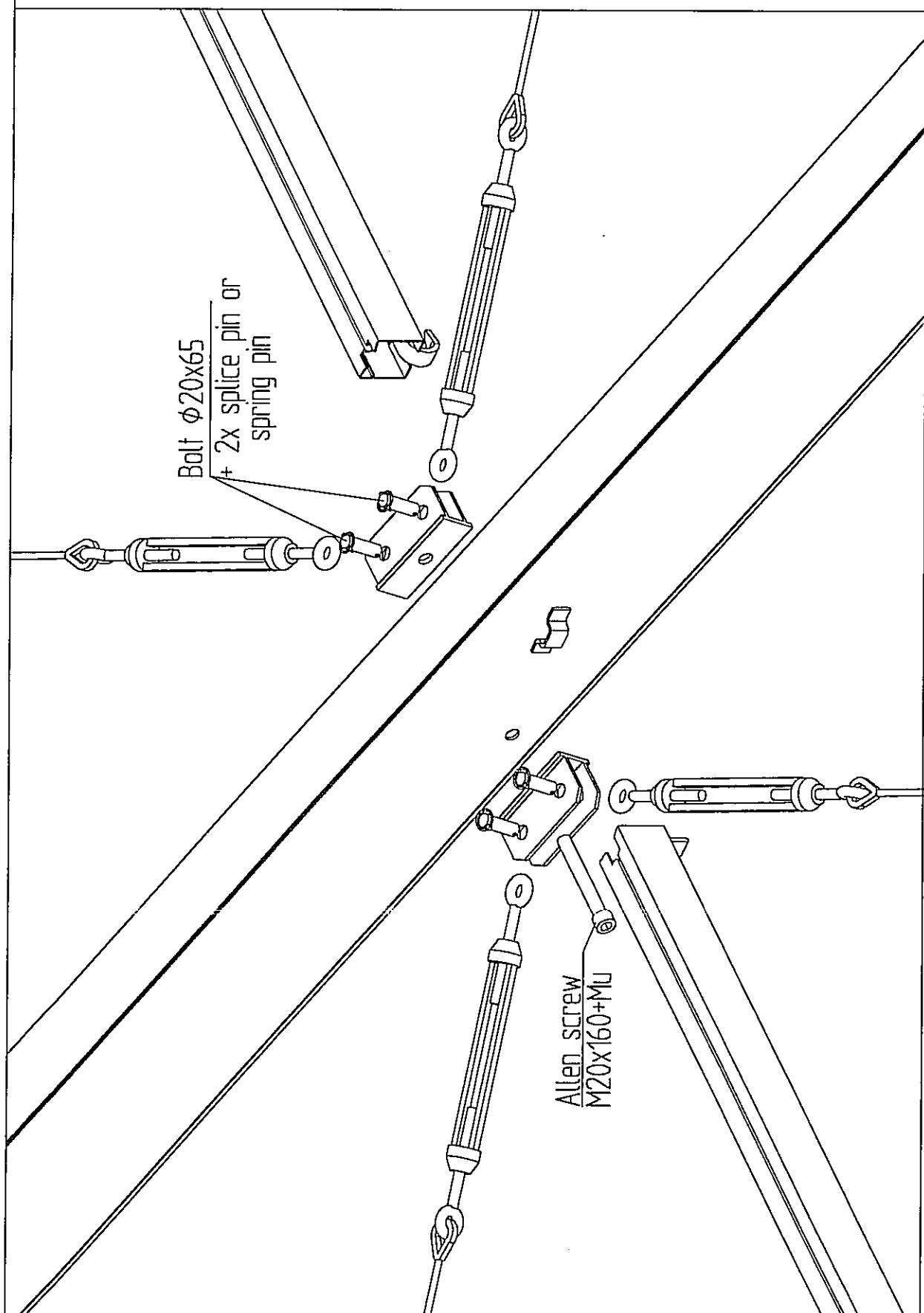


Bolt $\phi 20 \times 65$
+ 2x splice pin or
spring pin

Allen screw
M20x160+Mu

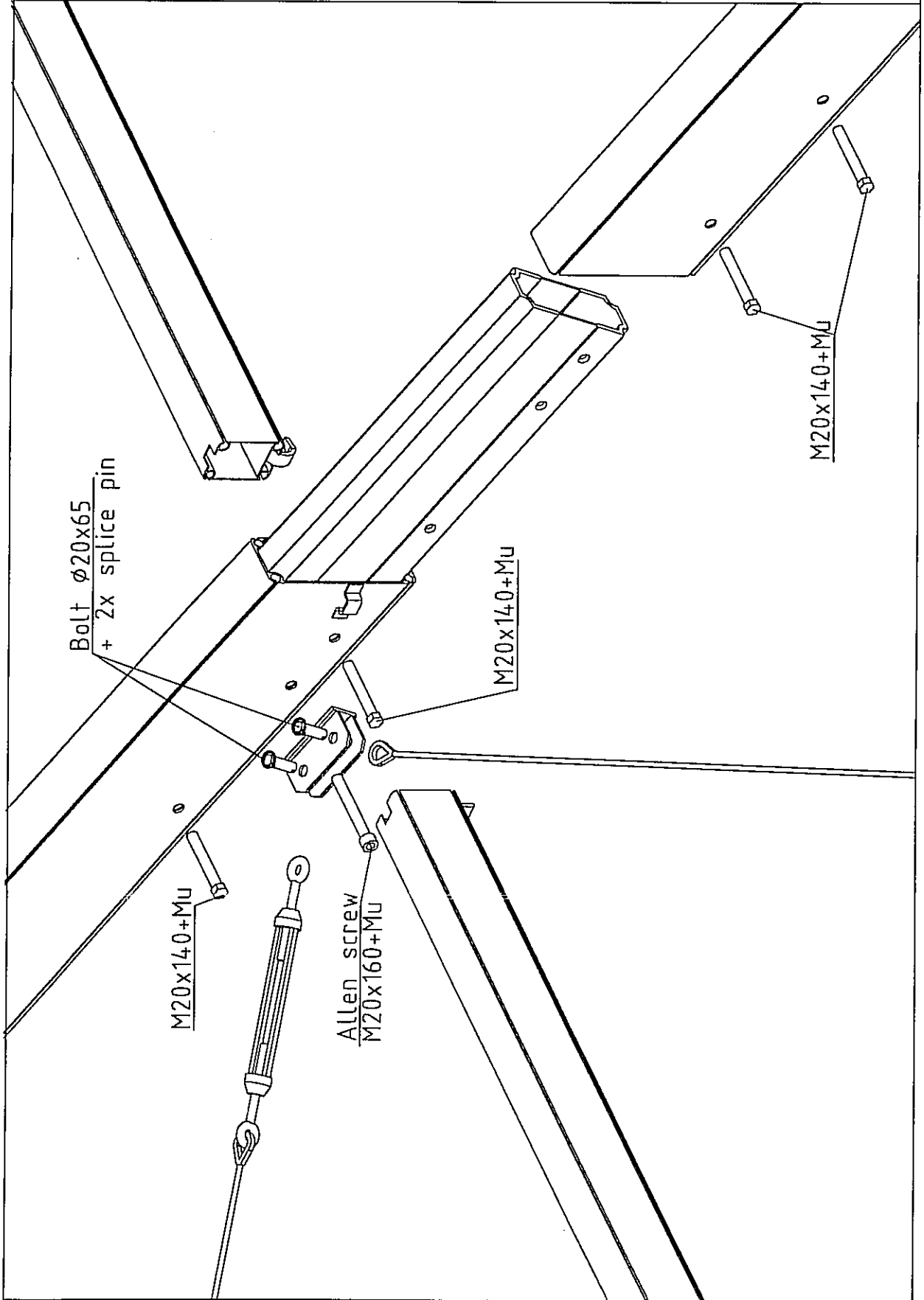
M20x140+Mu

M20x140+Mu

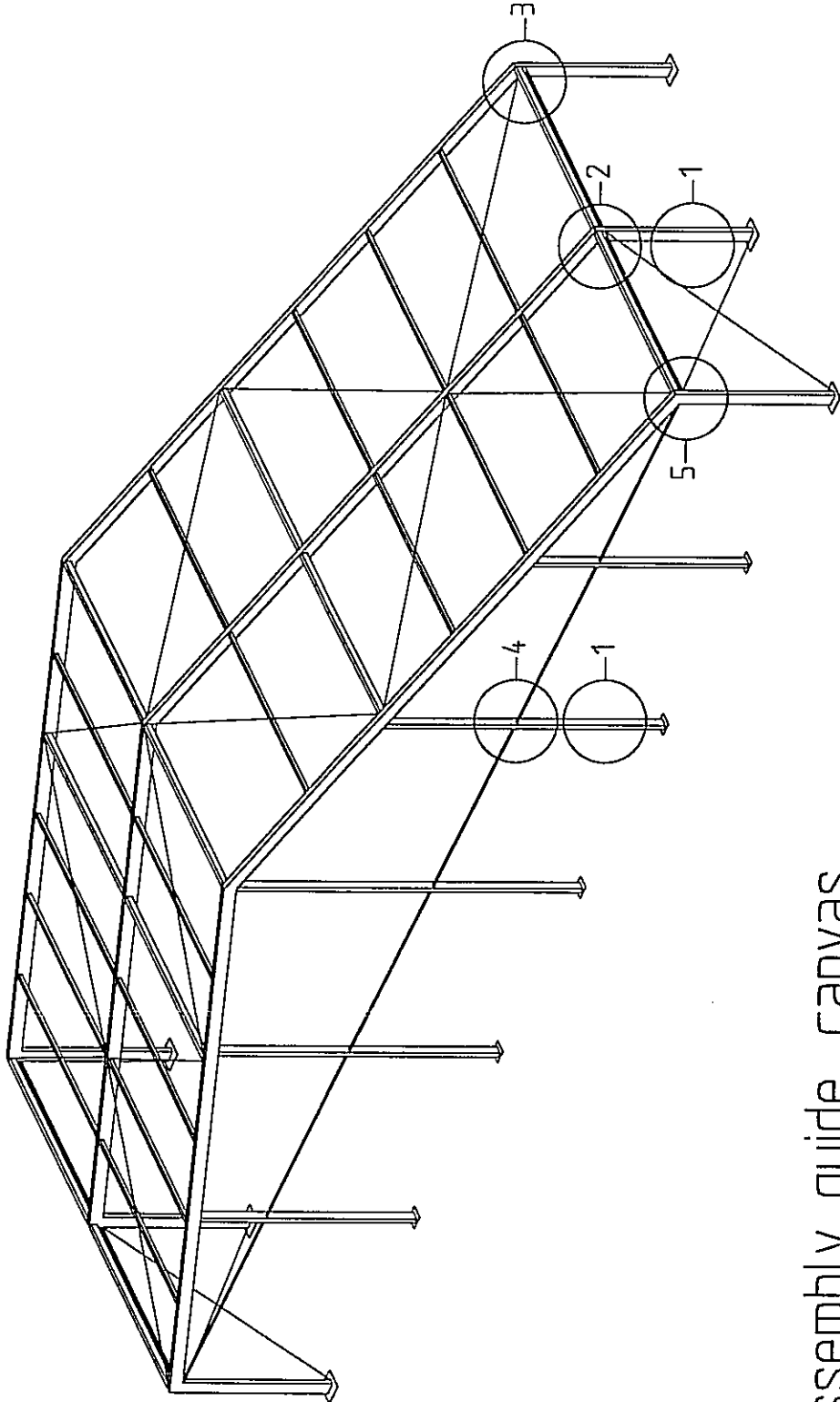


Bolt $\phi 20 \times 65$
+ 2x splice pin or
spring pin

Allen screw
M20x160+Mu



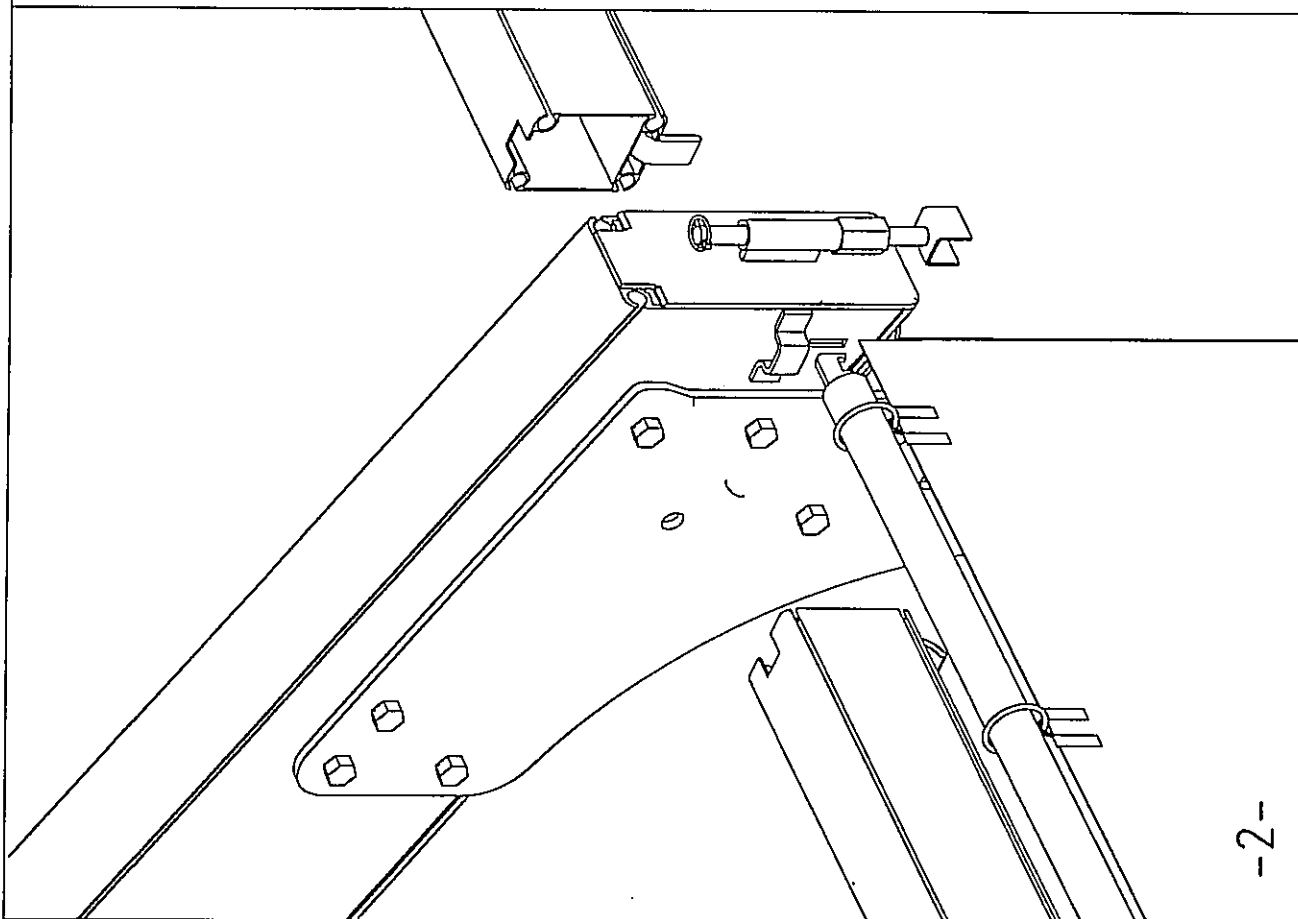
LOSBERGER



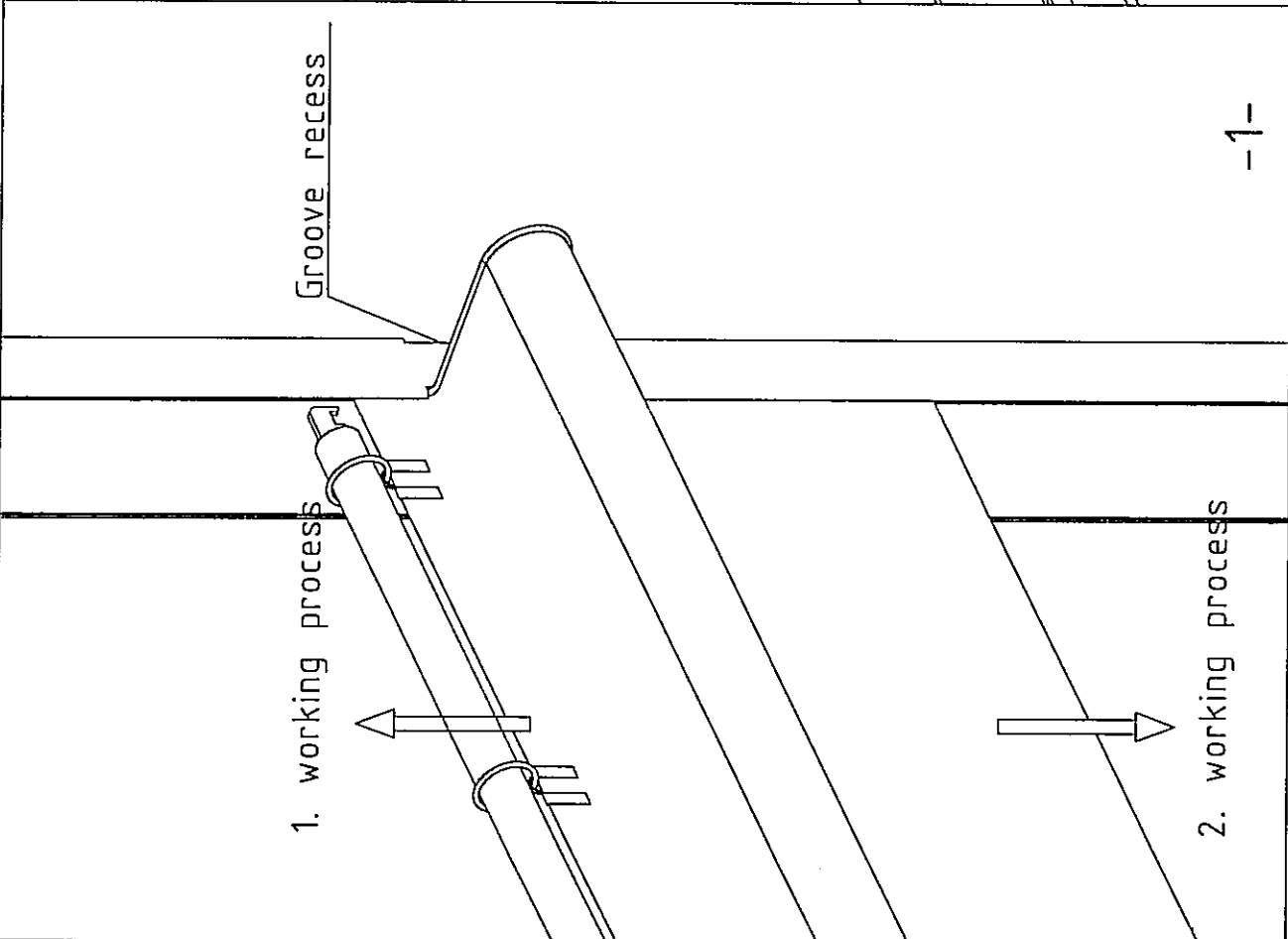
Assembly guide, canvas

LOSBERGER

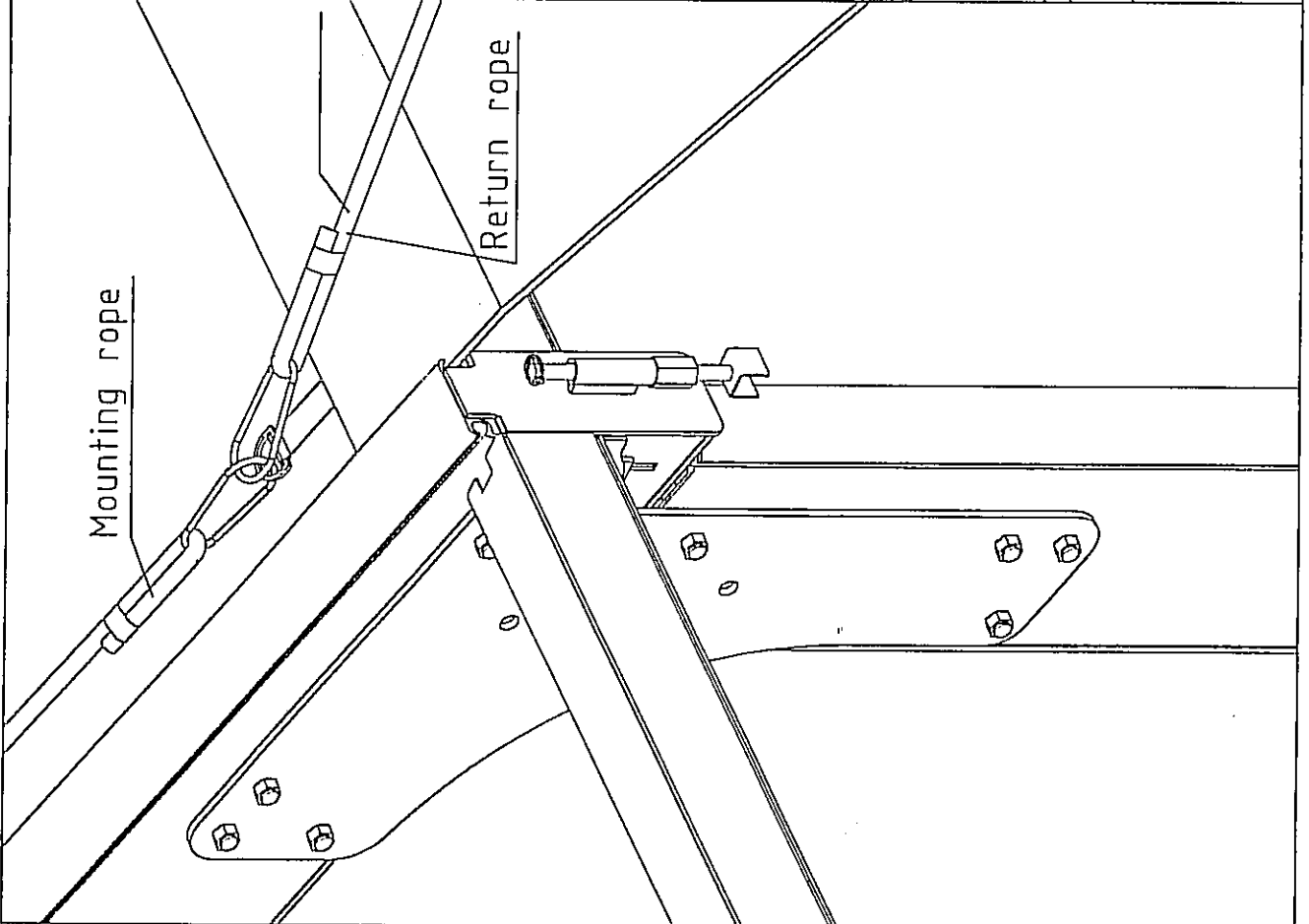
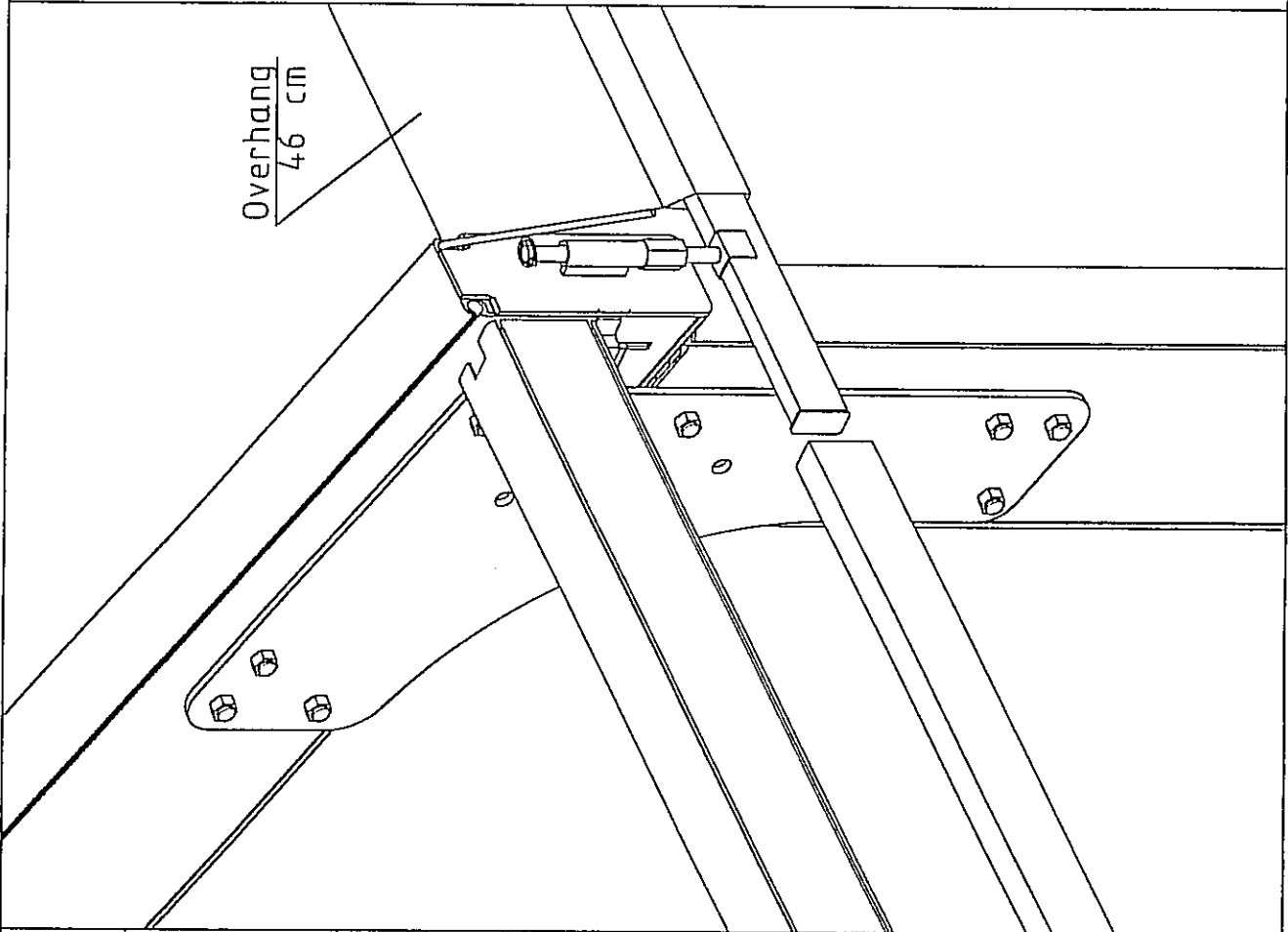
1 2



-2-



-1-



LOSBERGER

4 5

